

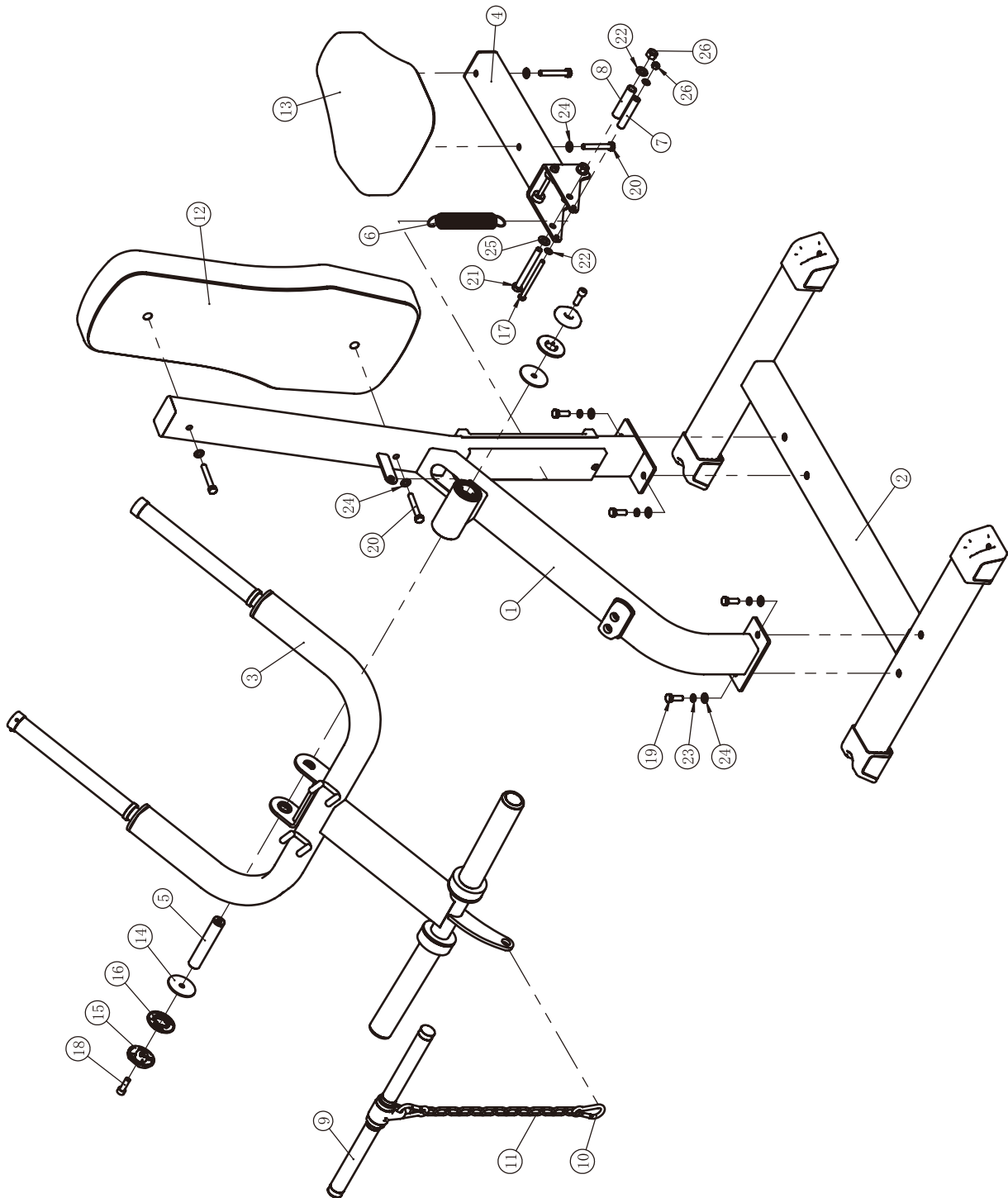
Exploded View and Parts List

Overall

Item No.	Part No.	Description	QTY
1	IFP170601ASSY	Main Frame Assy	1
2	IFP170602ASSY	Bottom Frame Assy	1
3	IFP170603ASSY	Handle Frame Assy	1
4	IFP120105ASSY	Seat Pad Frame Assy	1
5	IF93012600	Axis $\Phi 25*133*M10$	1
6	SL70012200	Extension spring $\Phi 31.5*\Phi 2.5*165$	1
7	IFP12010700	Support sleeve $\Phi 15*\Phi 9*82$	1
8	KPSFID0700V2	Nylon Tube	1
9	026-01X1118	Short Handle	1
10	HLG8DS2	Snap Hook $\Phi 8$	2
11	LH $\Phi 5*14$ DS2	Link Chain $\Phi 5*14$	1
12	IF93015100V1	Back Pad	1
13	IF93015200V2	Seat Pad	1
14	IF93062200	Washer $\Phi 62*\Phi 10.5*3$	2
15	FE97211900	Cap $\Phi 60$	2
16	FE97212000	Circle Ring $\Phi 62.5*5$	2
17	GB5780M8*105DHS20	Hex Head Bolt M8*105	1
18	GB70M10*30DHS20NL	Socket Head Cap Screw M10*30	2
19	GB5780M10*30DHS20NL	Hex Head Bolt M10*30	4
20	GB5780M10*70DHS20	Hex Head Bolt M10*70	4
21	IFP12012100	Shoulder Bolt $\Phi 12*96.5*M8$	1
22	GB958DHS2	Flat Washer $\Phi 9*\Phi 16*1.6$	3
23	GB9310DHS12	Spring Washer $\Phi 10$	4
24	GB9510DHS2	Flat Washer $\Phi 11*\Phi 20*2$	8
25	GB9512DHS2	Flat Washer $\Phi 13*\Phi 24*2.5$	1
26	NM8DHS2	Nylon Lock Nut M8	2
28	NBS8DHS	Hex Key S=8	1
29	YHY	Lube	1

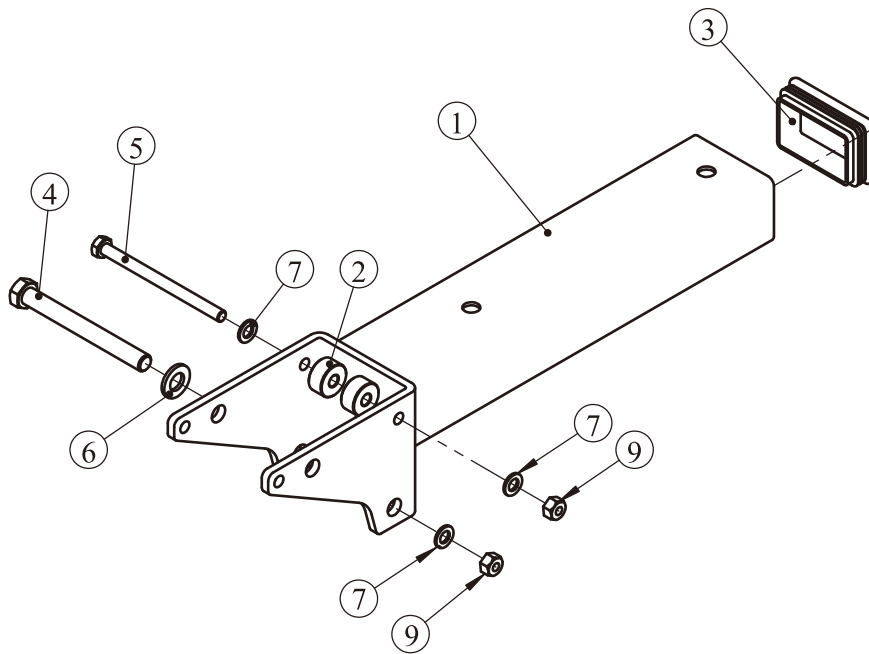
Exploded View and Parts List

Overall



Exploded View and Parts List

Seat Pad Frame Assy



Grade No.	Part No.	Description	QTY
4.1	IFP12010500	Seat Pad Frame	1
4.2	IFP12013600	Guide Roller	2
4.3	KPSFID2800	Plug □50.8*76.2	1
4.4	IFP12012100	Shoulder Bolt $\Phi 12*96.5*M8$	1
4.5	GB5780M8*105DHS20	Hex Head Bolt M8*105	1
4.6	GB9512DHS2	Flat Washer $\Phi 13*\Phi 24*2.5$	1
4.7	GB958DHS2	Flat Washer $\Phi 9*\Phi 16*1.6$	3
4.9	NM8DHS2	Nylon Lock Nut M8	2

Assembly

STEP 3

Attach the Seat Pad Frame ASSY (#4) to the Main Frame ASSY (#1) using:

one $\Phi 31.5 \times \Phi 2.5 \times 165$ Extension spring (#6)

one $\Phi 15 \times \Phi 9 \times 82$ Support sleeve (#7)

one $\Phi 19 \times \Phi 13 \times 80$ Nylon Tube (#8)

one M8*105 HHB (#17)

one $\Phi 12 \times 96.5 \times M8$ Shoulder Bolt (#21)

three $\Phi 9 \times \Phi 16 \times 1.6$ Flat Washer (#22)

one $\Phi 13 \times \Phi 24 \times 2.5$ Flat Washer (#25)

two M8 Nylon Lock Nut (#26)

Note: Wrench Tighten Bolts and Nylon Lock Nuts.

