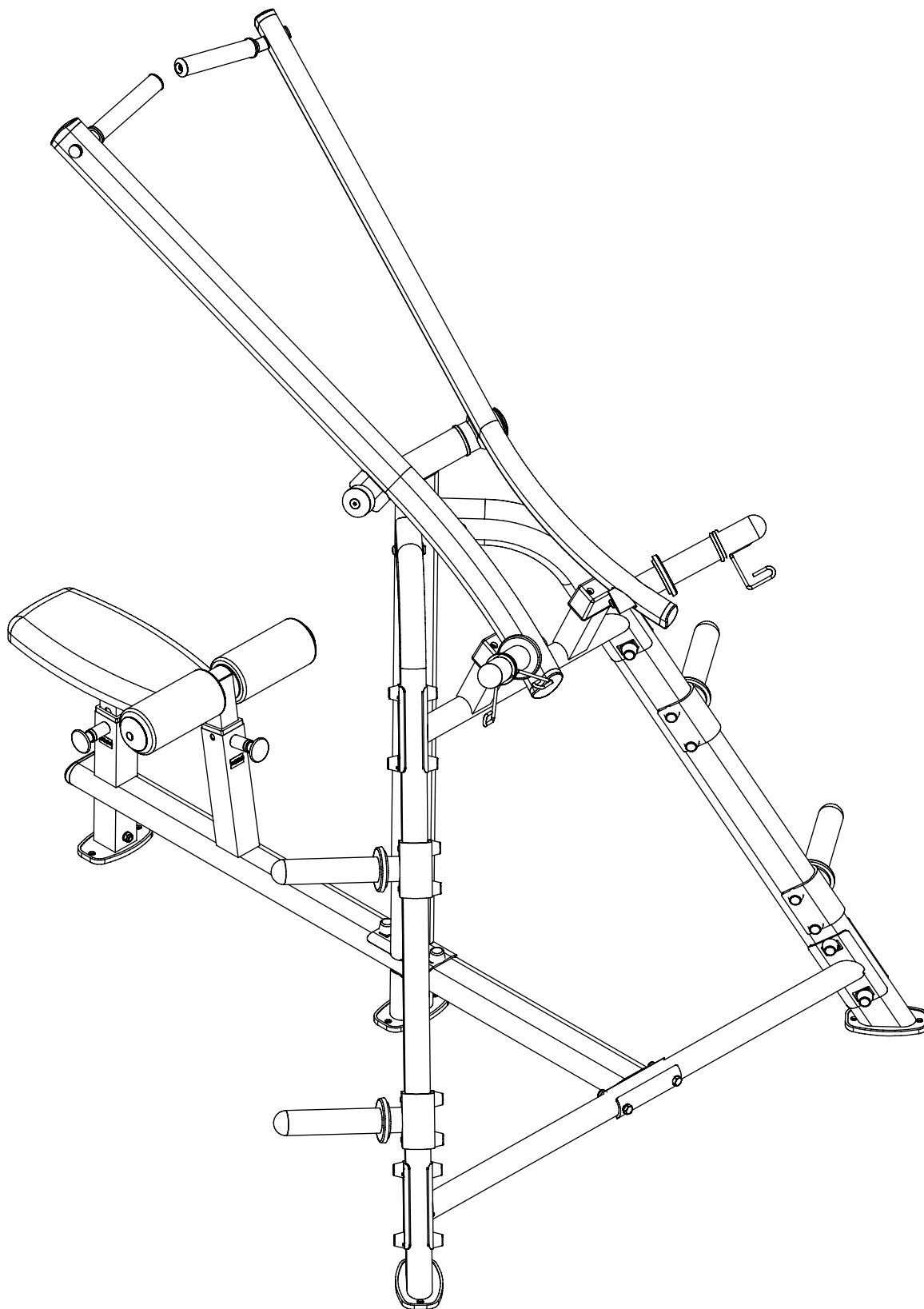


**PLLA**



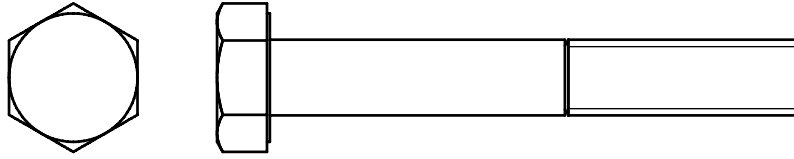
Assembly & Instructions  
**OWNER'S & MANUAL**

v.201006

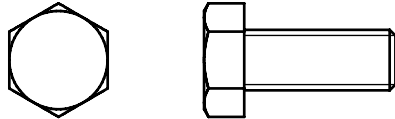
# PLLA HARDWARE

(shown in actual size)

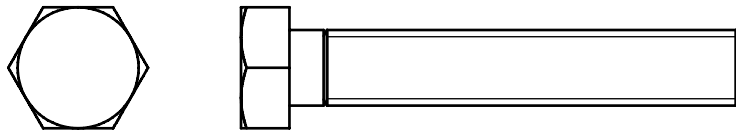
A1.M10X70L HEX HEAD SCREW .....10PSC



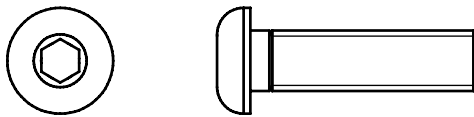
A2.M8X20L HEX HEAD SCREW .....4PSC



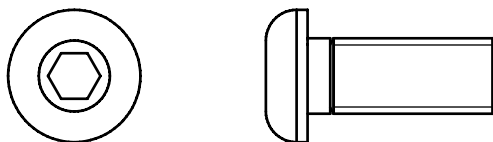
A3.M10X60L HEX HEAD SCREW.....1PCS



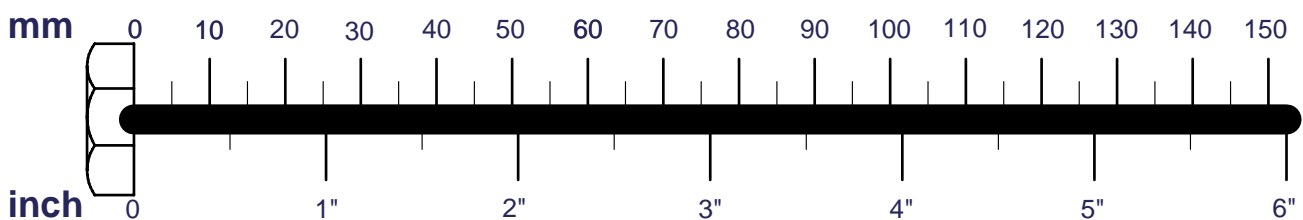
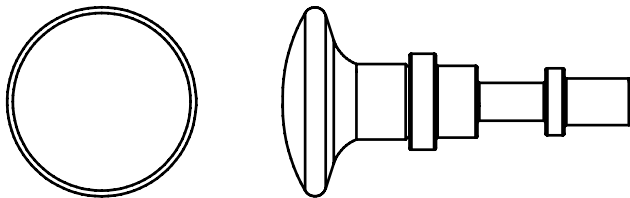
A4.M8X30L ALLEN SCREW (FULL THREAD)...2PCS



A5.M10X25L ALLEN SCREW (FULL THREAD)...4PCS (Pre-installed)



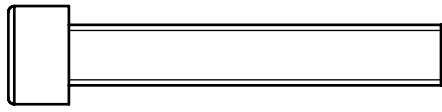
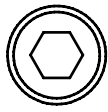
A6.POP PIN (8250-065G)...2PCS (Pre-installed)



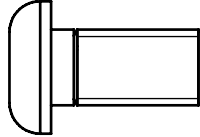
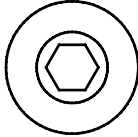
# PLLA HARDWARE

(shown in actual size)

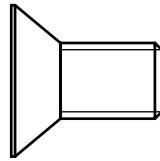
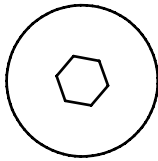
A7.M8X50L SOCKET SCREW(FULL THREAD)...4PCS



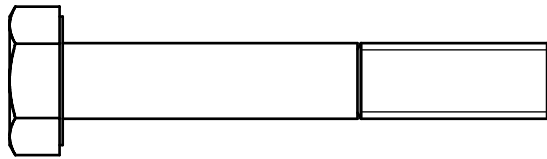
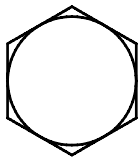
A8.M10X20L ALLEN SCREW(FULL THREAD)...4PCS



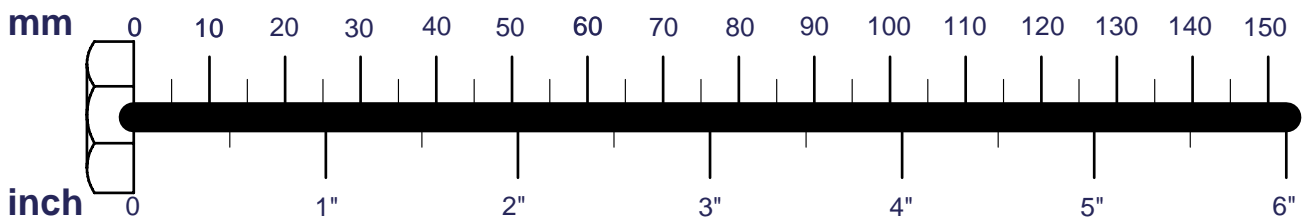
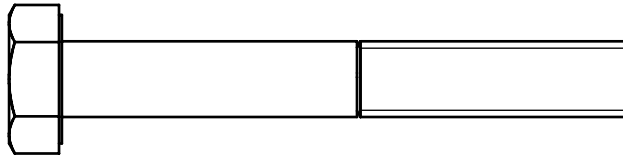
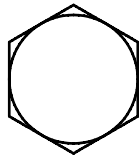
A9.M10X20 TAPER SCREW(FULL THREAD)...4PCS (Pre-installd 2PCS)



A10.M10X65L HEX HEAD SCREW...8PCS



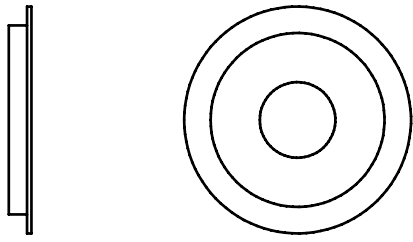
A11.M10X75L HEX HEAD SCREW...3PCS(Pre-installed 1PCS)



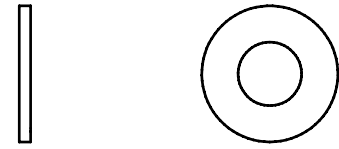
# PLLA HARDWARE

(shown in actual size)

C1.M10 PLATE WASHER (Ø30)...28PCS



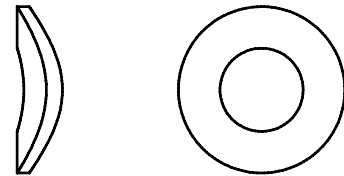
C2.M8 WASHER (Ø18)...4PCS



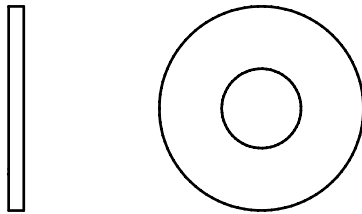
C3.M8 SPRING WASHER...6PCS



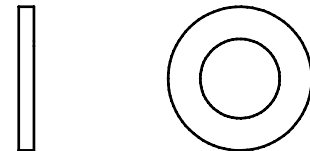
C4.M10 CURVED WASHER...6PCS  
(Pre-installed 2PCS)



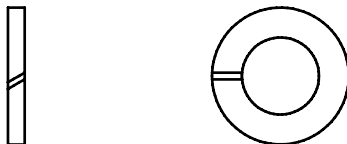
C5.M10 WASHER (Ø27)...4PCS



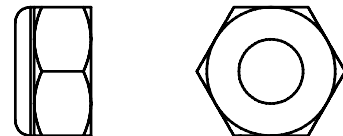
C6.M10 WASHER (Ø19)...2PCS  
(Pre-installed)



C7.M10 SPRING WASHER...2PCS  
(Pre-installed)

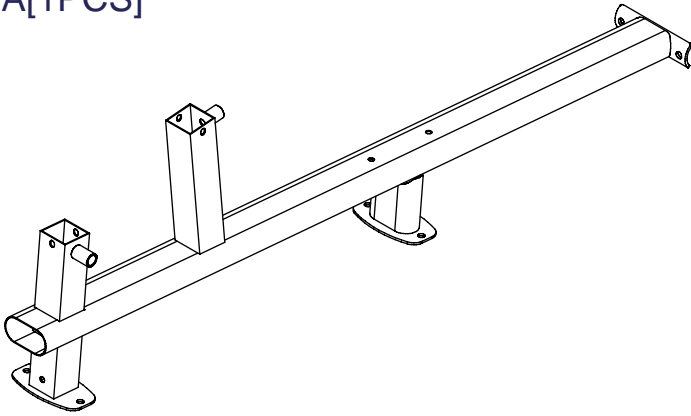


B1.M10 NYLON LOCK NUT...14PCS  
(Pre-installed)1PCS

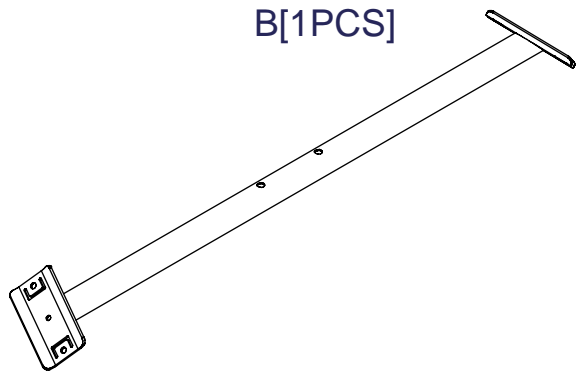


PLLA PARTS

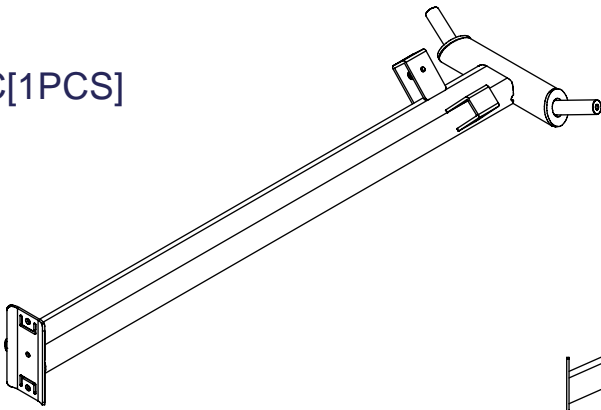
A[1PCS]



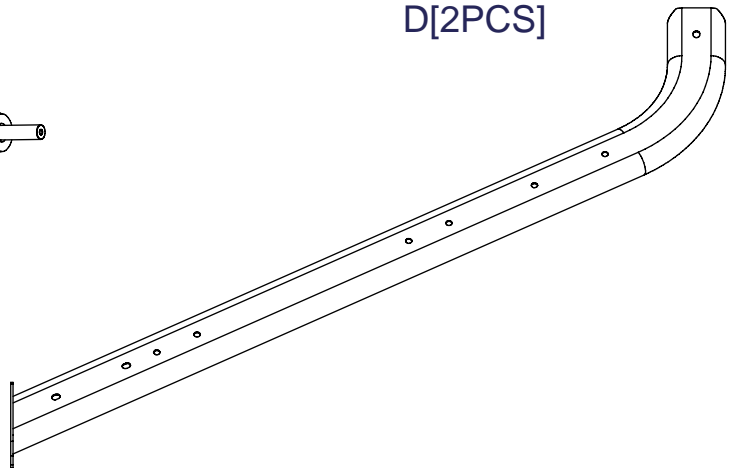
B[1PCS]



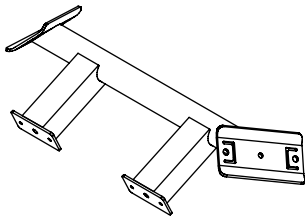
C[1PCS]



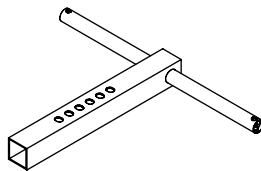
D[2PCS]



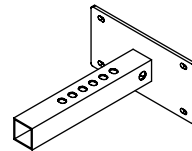
E[1PCS]



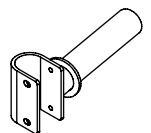
F[1PCS]



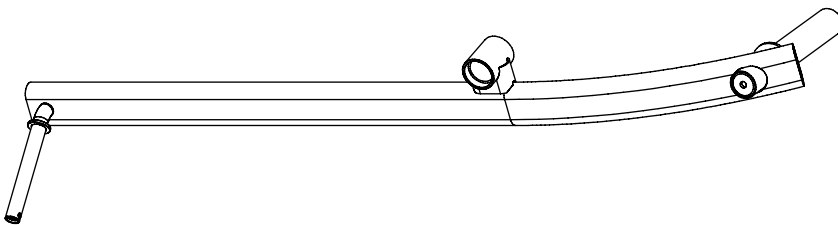
G[1PCS]



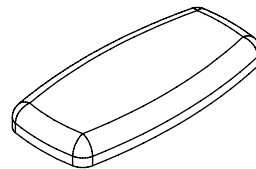
P[4PCS]  
6730001



H[1PCS]



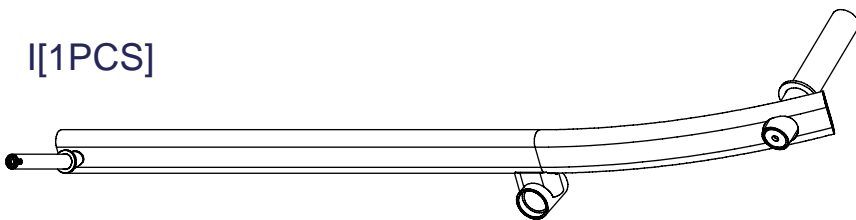
M[1PCS]  
9121078



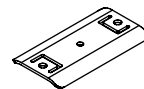
Q[1PCS] 8830-023  
Pre-installed



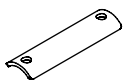
I[1PCS]



J[4PCS]  
8323188

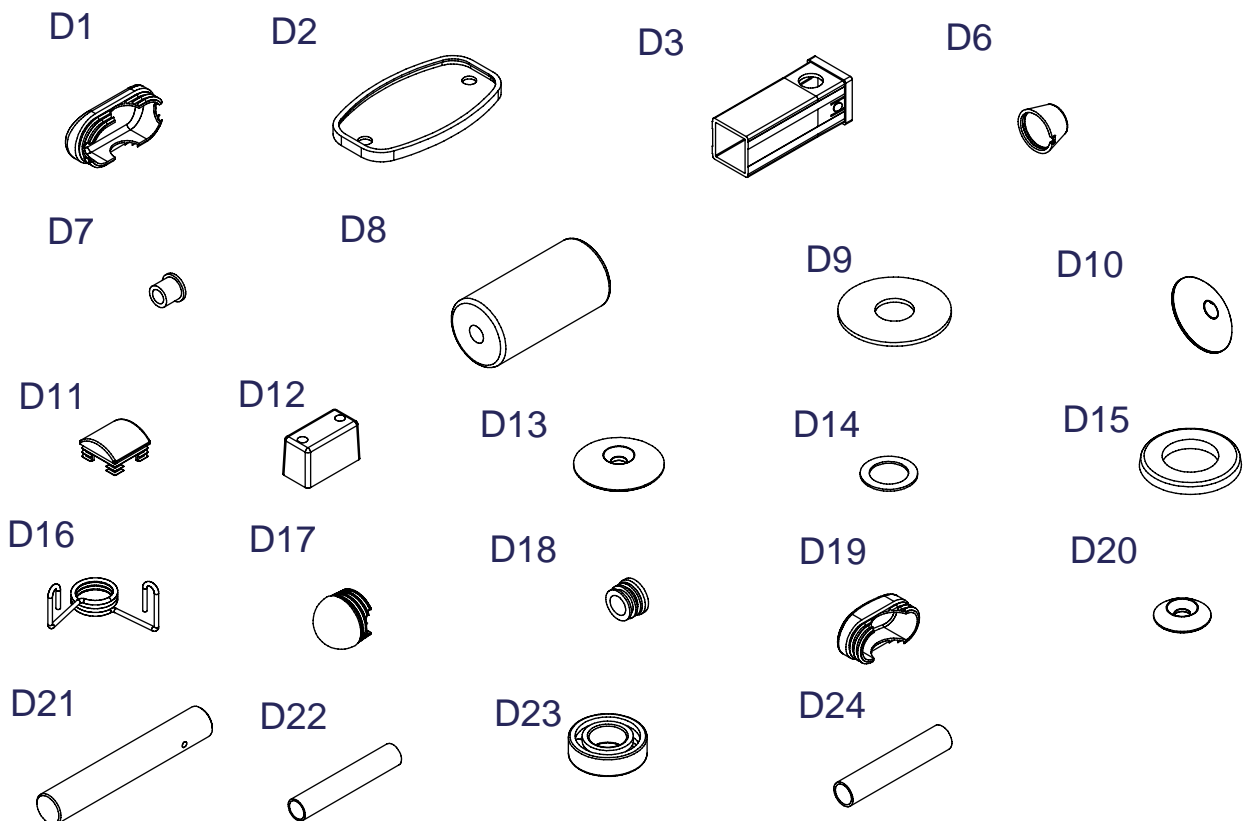


K[1PCS]  
8343163

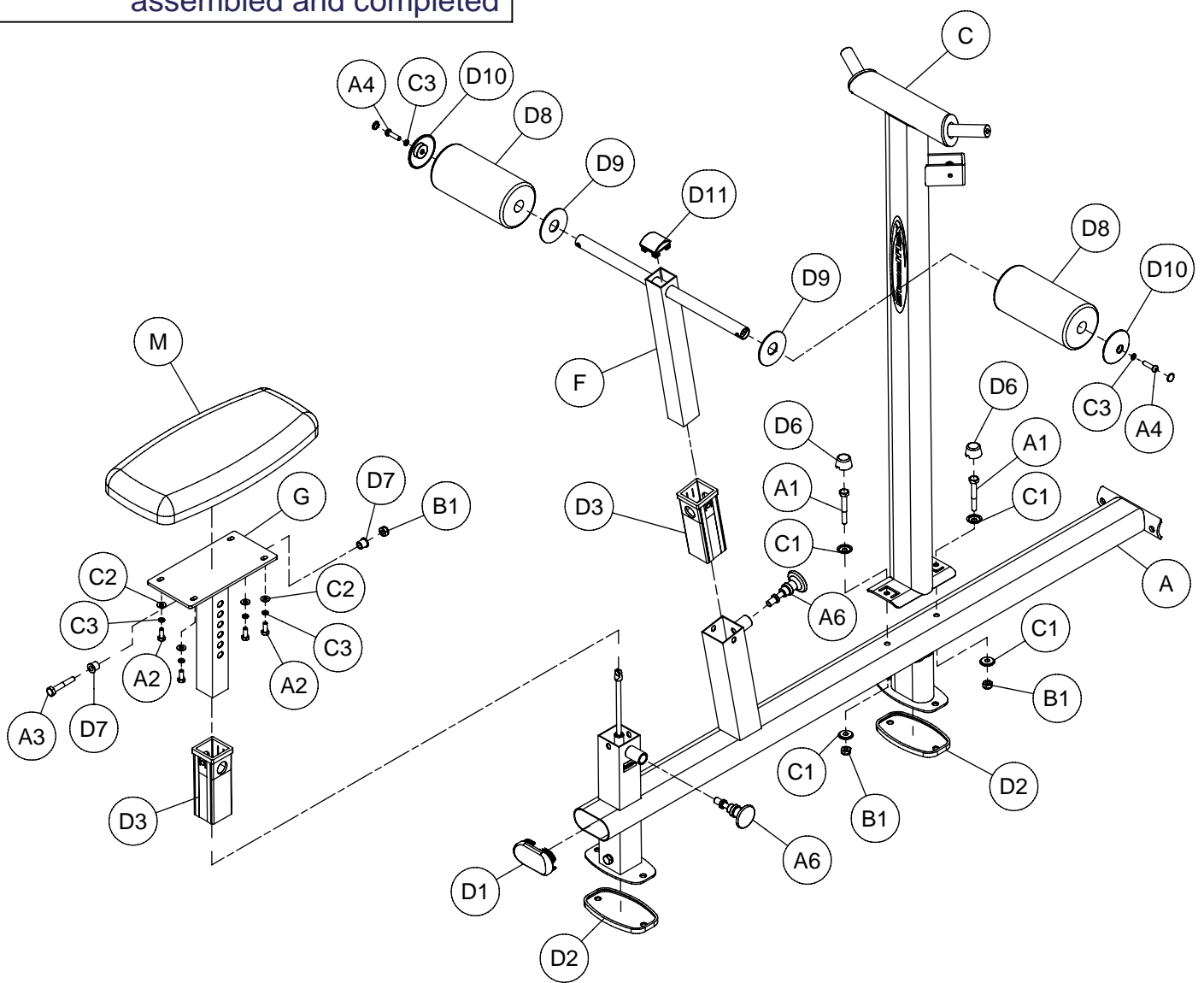
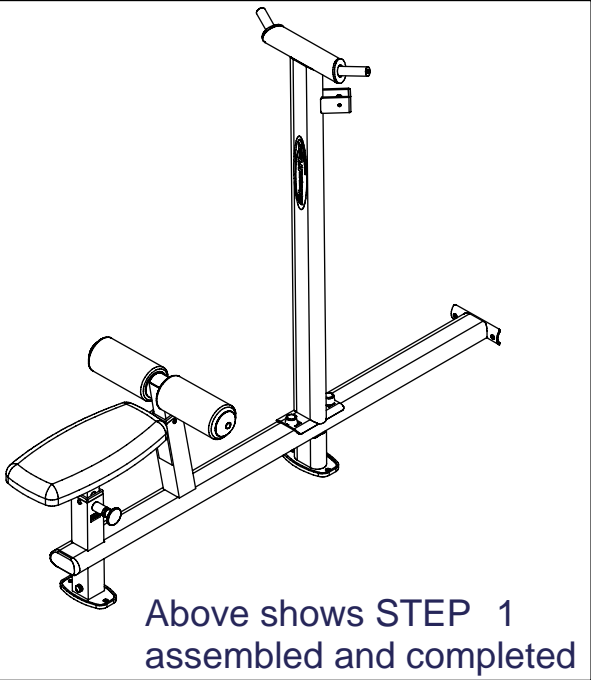


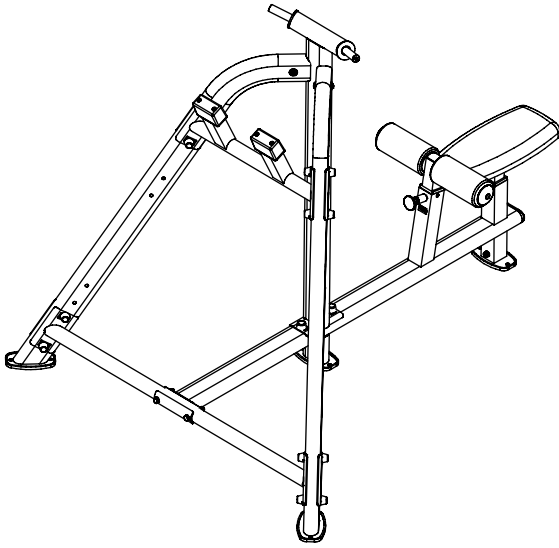
## PLLA PARTS

D1.50X100 END CAP (9211-114).....	1PCS
D2.RUBBER INSERT(9310-076).....	4PCS
D3.NYLON BUSHING(9211-047).....	2PCS
D6.CAP SLEEVE (9212-026).....	26PCS
D7.PULLEY SPACER(8530-009).....	2PCS
D8.FOAM ROLLER(9161-009).....	2PCS
D9.NYLON WASHER(9214-008).....	2PCS
D10.END COVER (9211-157).....	2PCS
D11.END CAP(9211-091).....	1PCS
D12.RUBBER INSERT(9310-077).....	2PCS
D13.END CLOSURE(8130-248).....	2PCS
D14.CO ER WASHER(8520-008).....	2PCS
D15.RUBBER INSERT(9310-016).....	6PCS
D16.PINCH COCK(OC-06).....	2PCS
D17.END CAP (9211-074).....	6PCS (Pre-installed2PCS)
D18.END CAP (9211-016).....	2PCS(Pre-installed)
D19.40X80 END CAP(9211-113).....	4PCS(Pre-installed)
D20.END CLOSURE(8130-273).....	2PCS(Pre-installed)
D21.PONTIL (8230-025).....	2PCS(Pre-installed)
D22.PVC (9219-022).....	2PCS(Pre-installed)
D23.BEARING(8510-037).....	4PCS(Pre-installed)
D24.FOAM GRIP (9162-119).....	2PCS(Pre-installed)

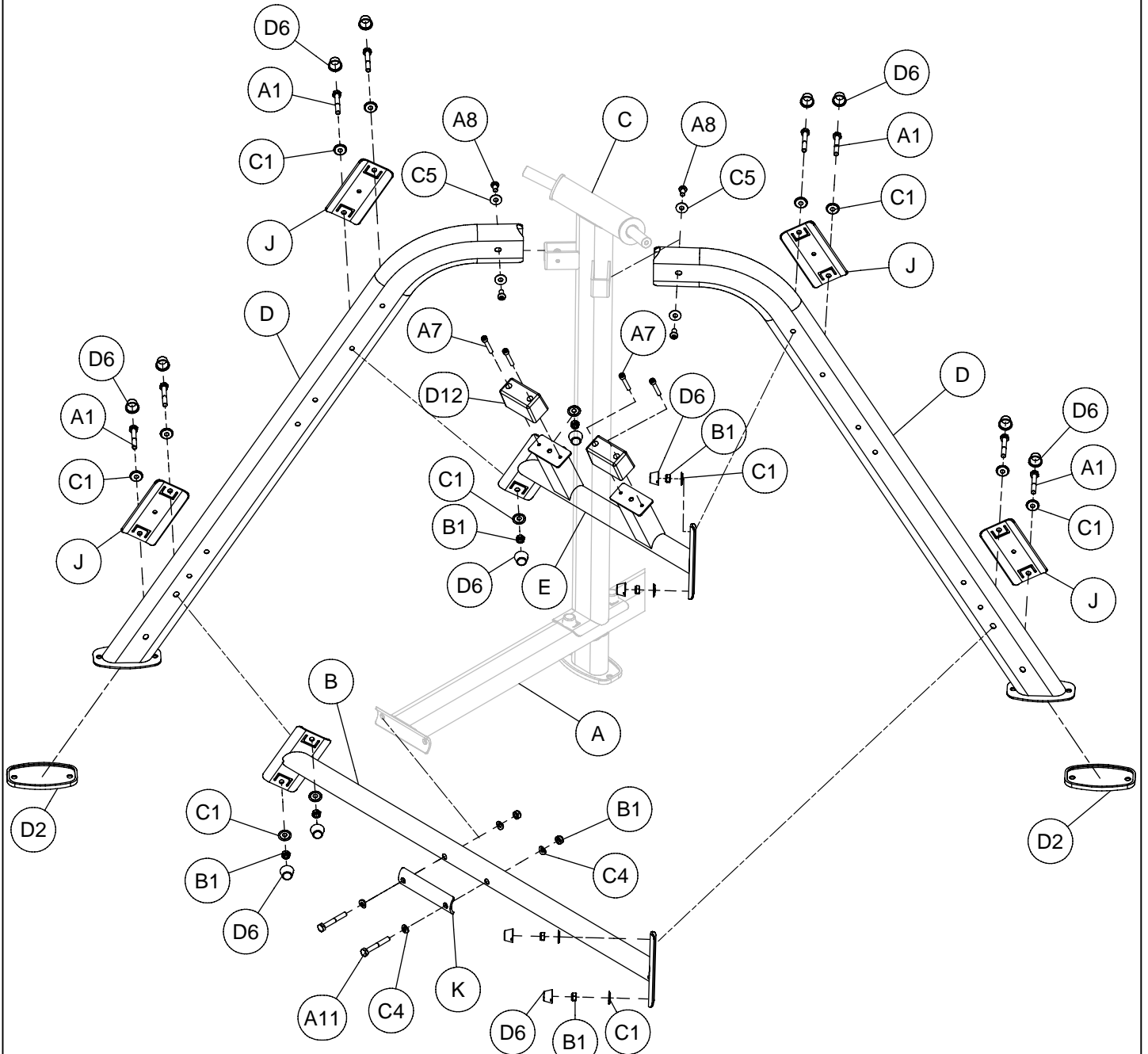


STEP  
**1**

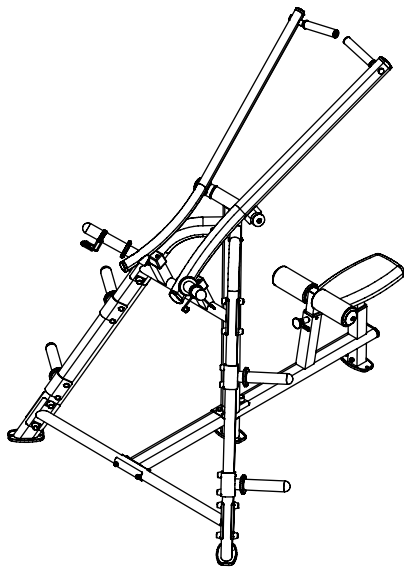




Above shows STEP 2 assembled and completed







Above shows STEP 3 assembled and completed

