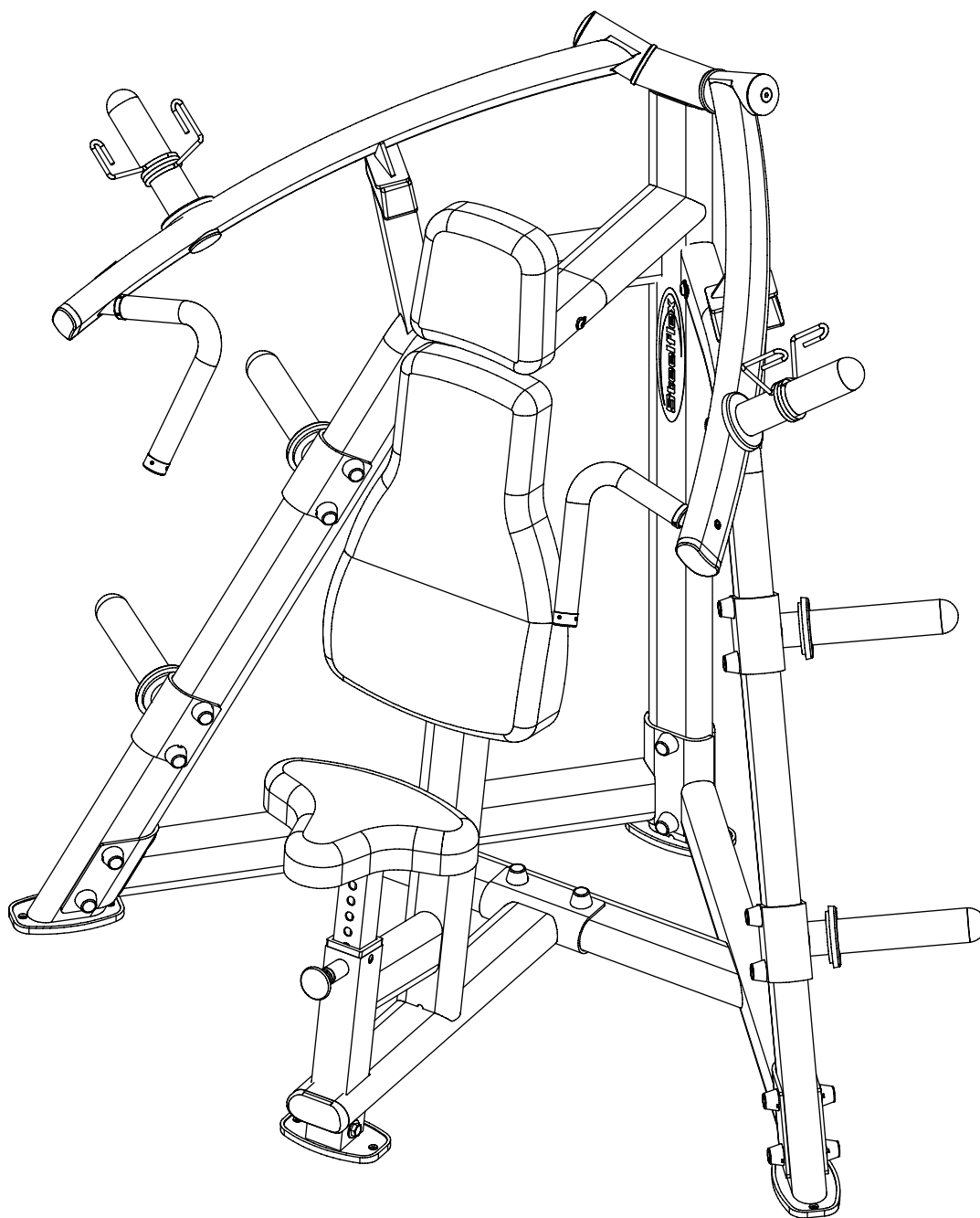


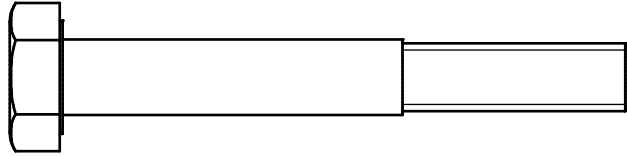
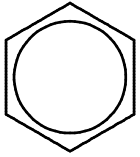
PLSP



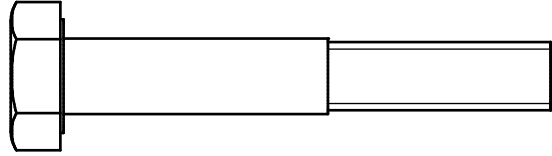
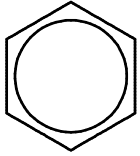
Assembly & Instructions
OWNER'S & MANUAL

PLSP HARDWARE

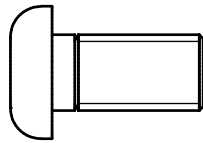
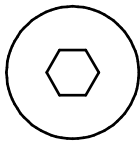
(shown in actual size)



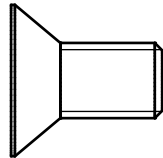
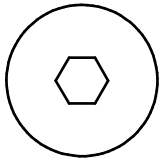
A1. M10x75 HEX HEAD SCREW...9PCS



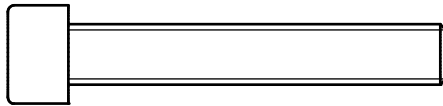
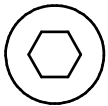
A2. M10x65 HEX HEAD SCREW...9PCS



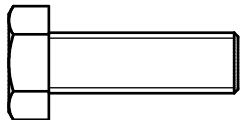
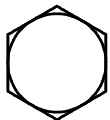
A3. M10x20 ALLEN SCREW(FULL THREAD)...4PCS



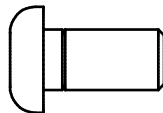
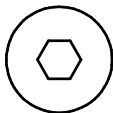
A4. M10x20 TAPER SCREW(FULL THREAD)...2PCS



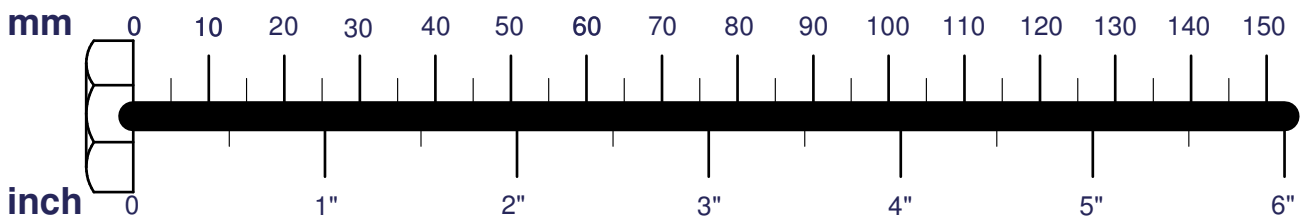
A5. M8x50 SOCKET SCREW(FULL THREAD)...4PCS



A6. M8x25 HEX HEAD SCREW...9PCS



A7. M8x16 ALLEN SCREW(FULL THREAD)...4PCS

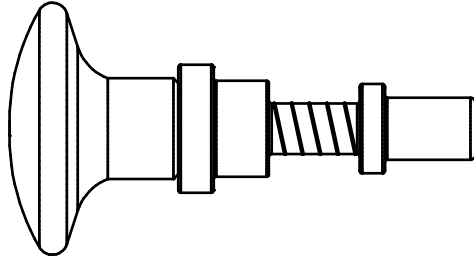
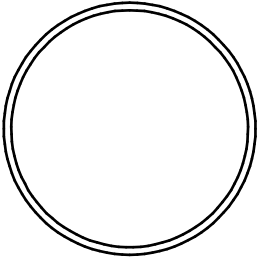


PLSP HARDWARE

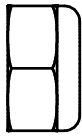
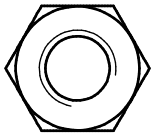
(shown in actual size)



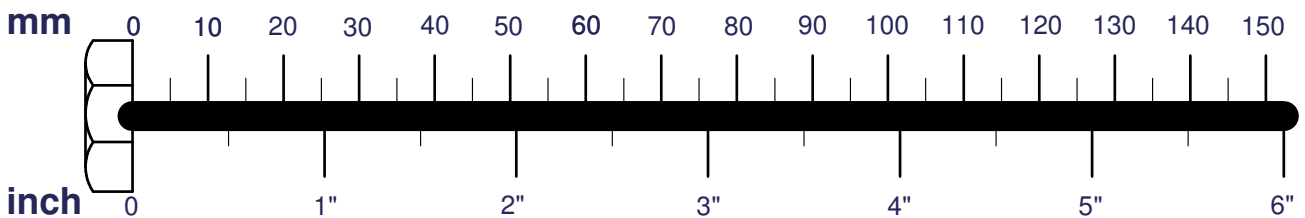
A8. M5x5 GRUB SCREW...8PCS (Pre-installed)



A9. 1/2"x92.5L POP PIN (8250-065G)...1PCS (Pre-installed)

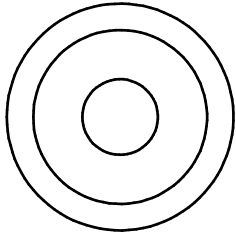


B1. M10 NYLON LOCK NUT...10PCS

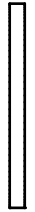
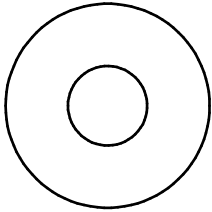


PLSP HARDWARE

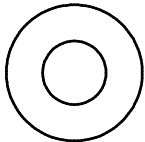
(shown in actual size)



C1. M10 PLATE WASHER(Ø30)...24PCS



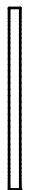
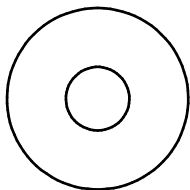
C2. M10 WASHER(Ø27)...6PCS(Pre-installed 2PCS)



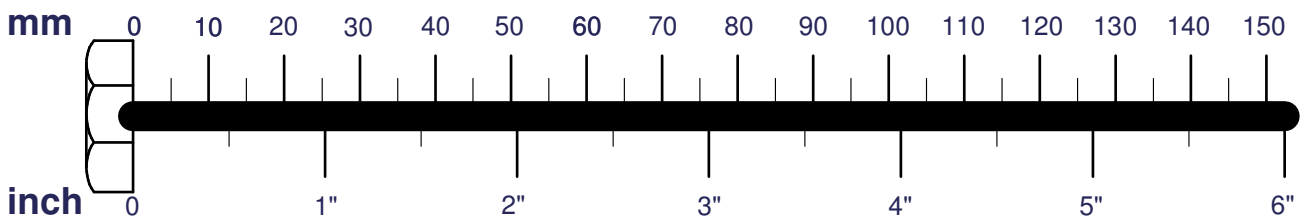
C3. M8 CURVED WASHER...2PCS



C4. M8 SPRING WASHER...9PCS

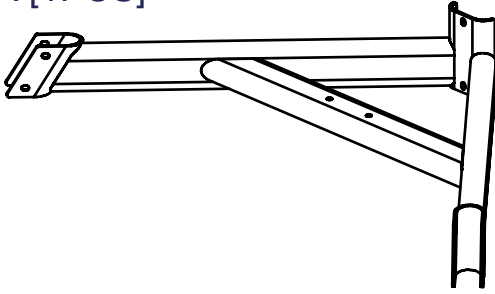


C5. M8 WASHER...11PCS

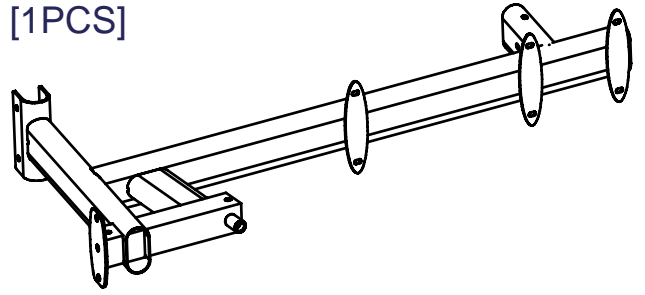


PLSP PARTS

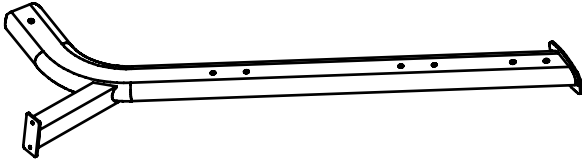
A [1PCS]



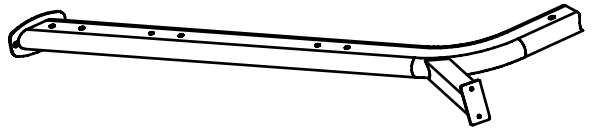
B [1PCS]



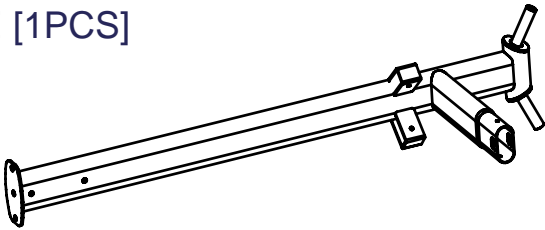
C [1PCS]



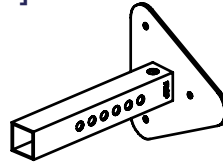
D [1PCS]



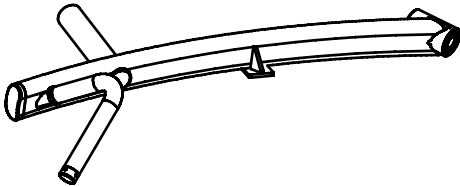
E [1PCS]



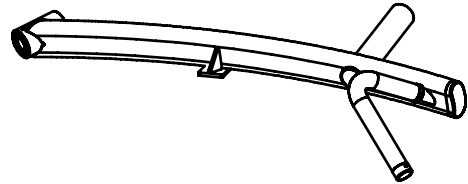
Q [1PCS]



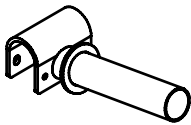
H [1PCS]



I [1PCS]



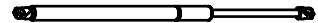
F [4PCS]
6730001



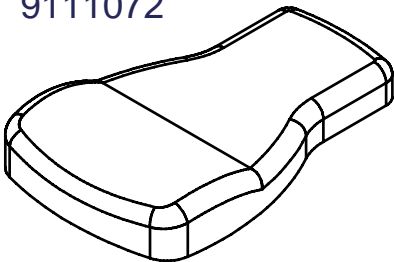
G [1PCS]
8323188



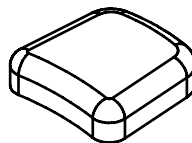
M [1PCS]
8830023
(pre-installed)



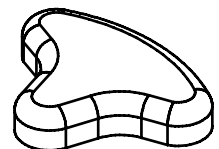
J [1PCS]
9111072



K [1PCS]
9131025



L [1PCS]
9144016



PLSP PARTS

- D1. 40x80 End Cap (9211-113) pre-installed [2PCS]
- D2. Ø50 End Cap (9211-020) [2PCS]
- D3. Ø50 End Cap (9211-074) [6PCS]
- D4. End Closure (8130-248) [2PCS]
- D5. Rubber Dount (9310-016) [6PCS]
- D6. Pinch Cock (OC-06) [2PCS]
- D7. Block Rubber (9310-077) [2PCS]
- D8. 50x100 END CAP (9211-114) [2PCS]
- D9. Rubber Insert (9310-076) [4PCS]
- D10. Co er Washer (8520-008) [2PCS]
- D11. Nylon Bushing (9211-047) [1PCS]
- D12. Cap Sleeve (9212-026) [24PCS]
- D13. Foam Grip (9162-102) pre-installed [2PCS]
- D14. End Closure (8890-061) pre-installed [2PCS]
- D15. Bearing (8510-037) pre-installed [4PCS]
- D16. Pulley spacer (8530-009)..... [2PCS]
- D17. End Closure (8130-254) pre-installed..... [2PCS]

D1



D2



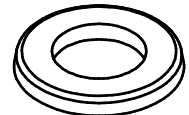
D3



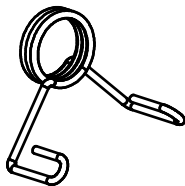
D4



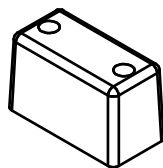
D5



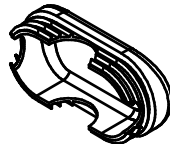
D6



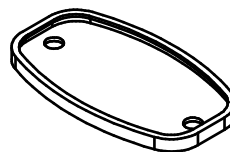
D7



D8



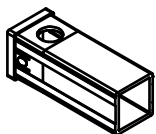
D9



D10



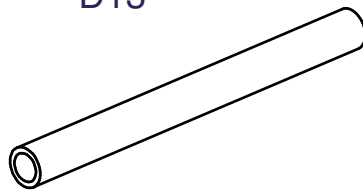
D11



D12



D13



D14



D15

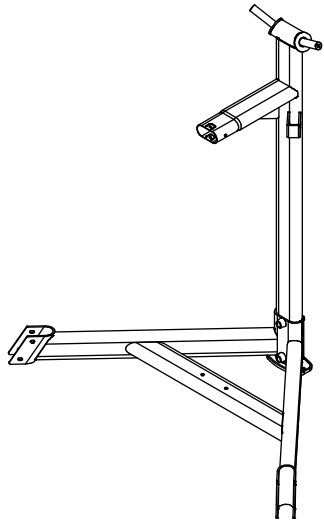


D16

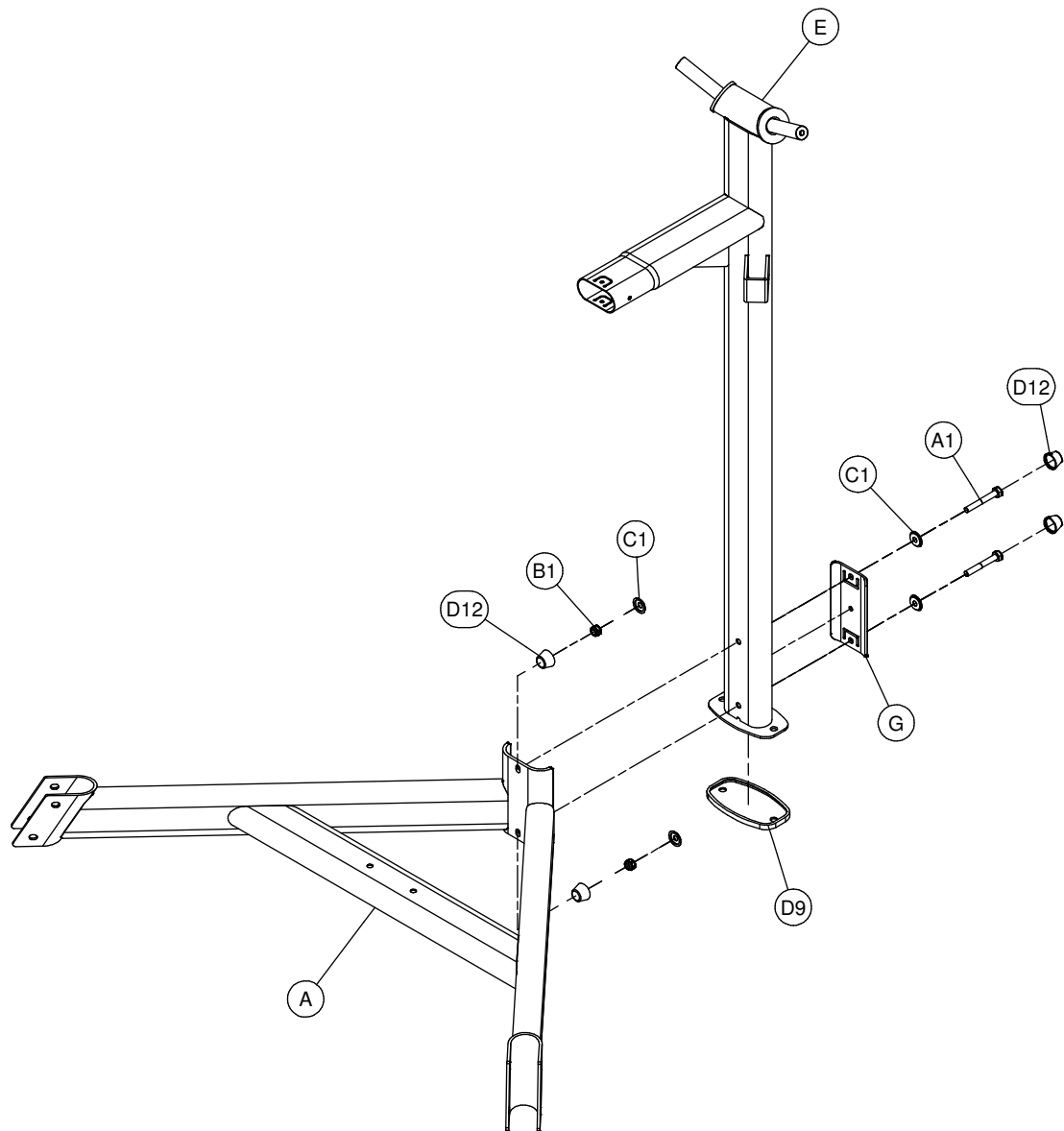


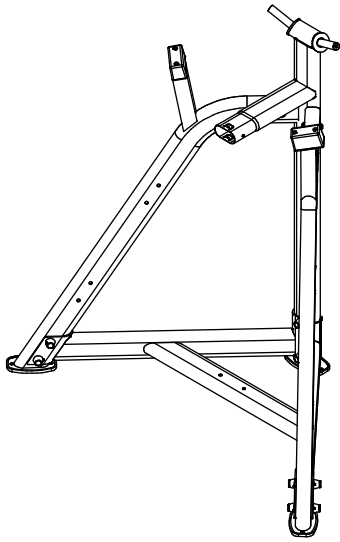
D17



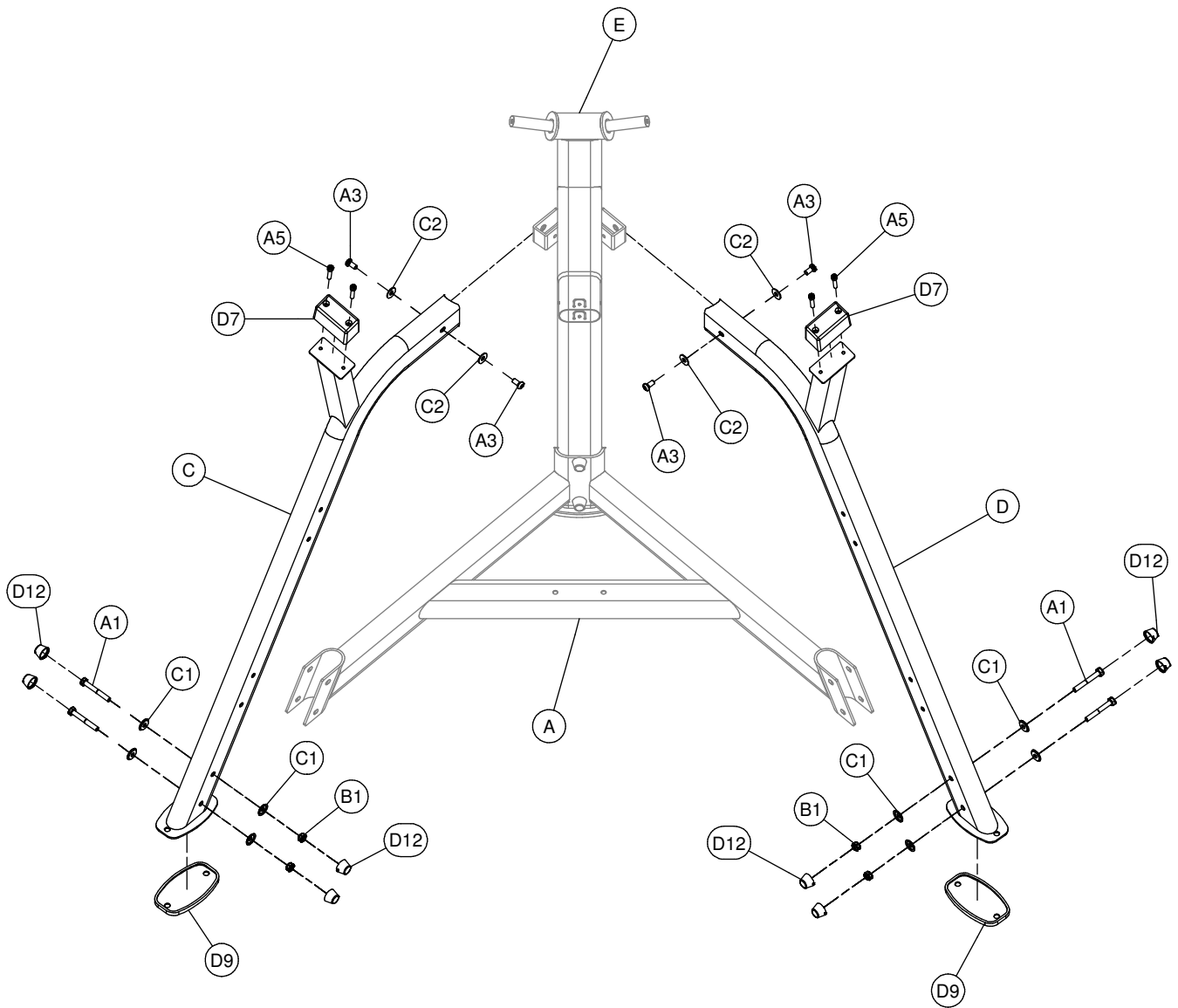


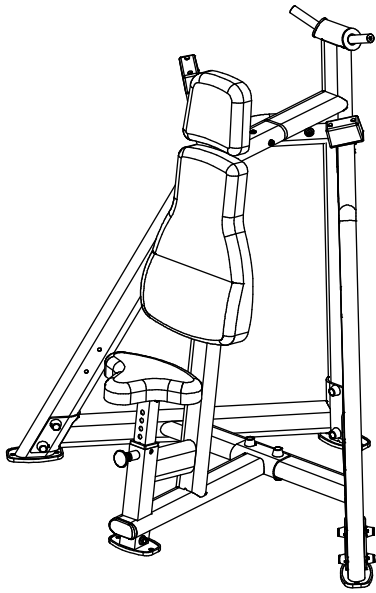
Above shows STEP 1 assembled and completed



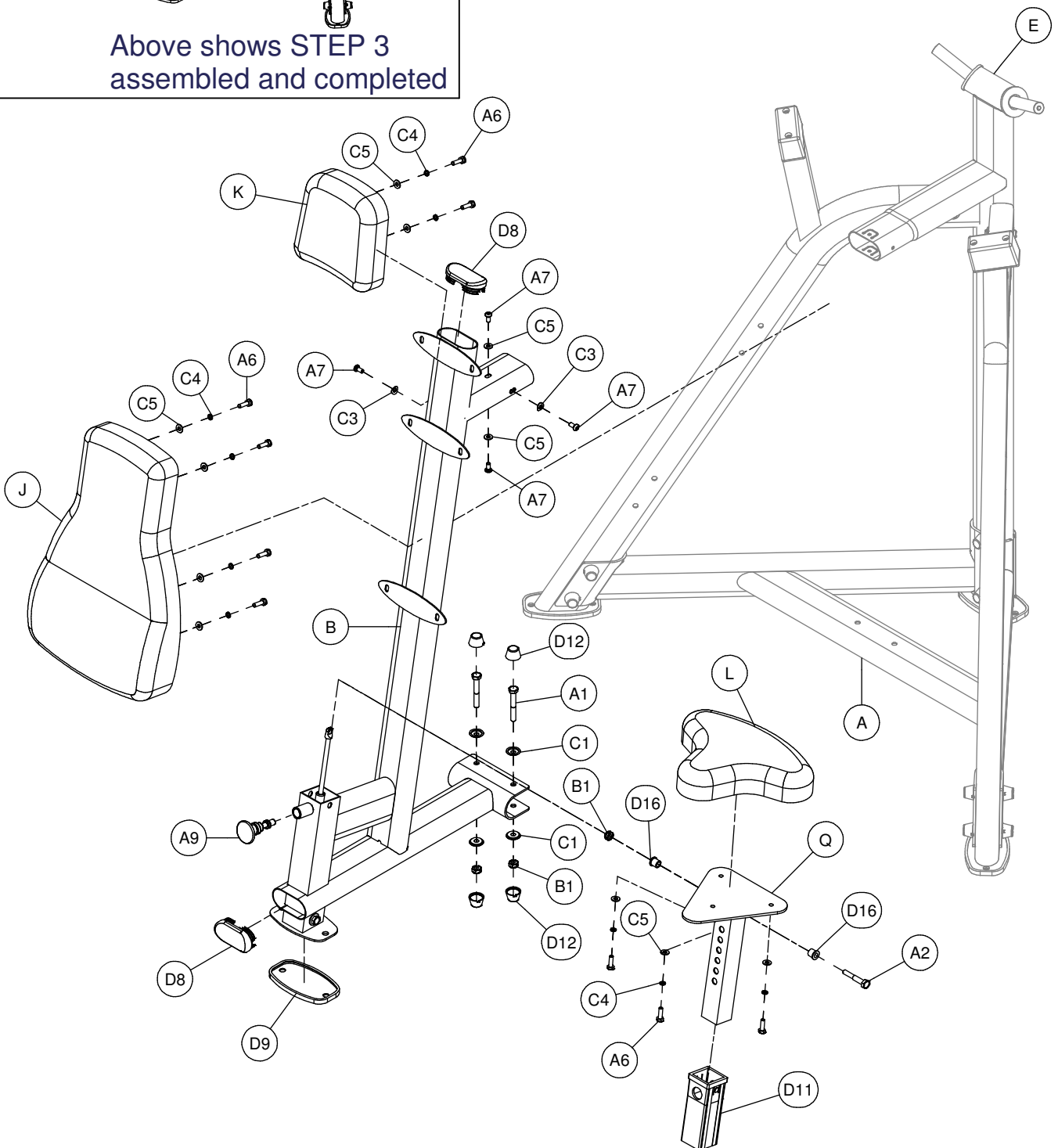


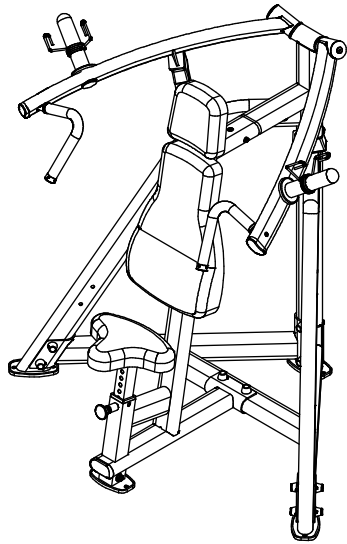
Above shows STEP 2 assembled and completed



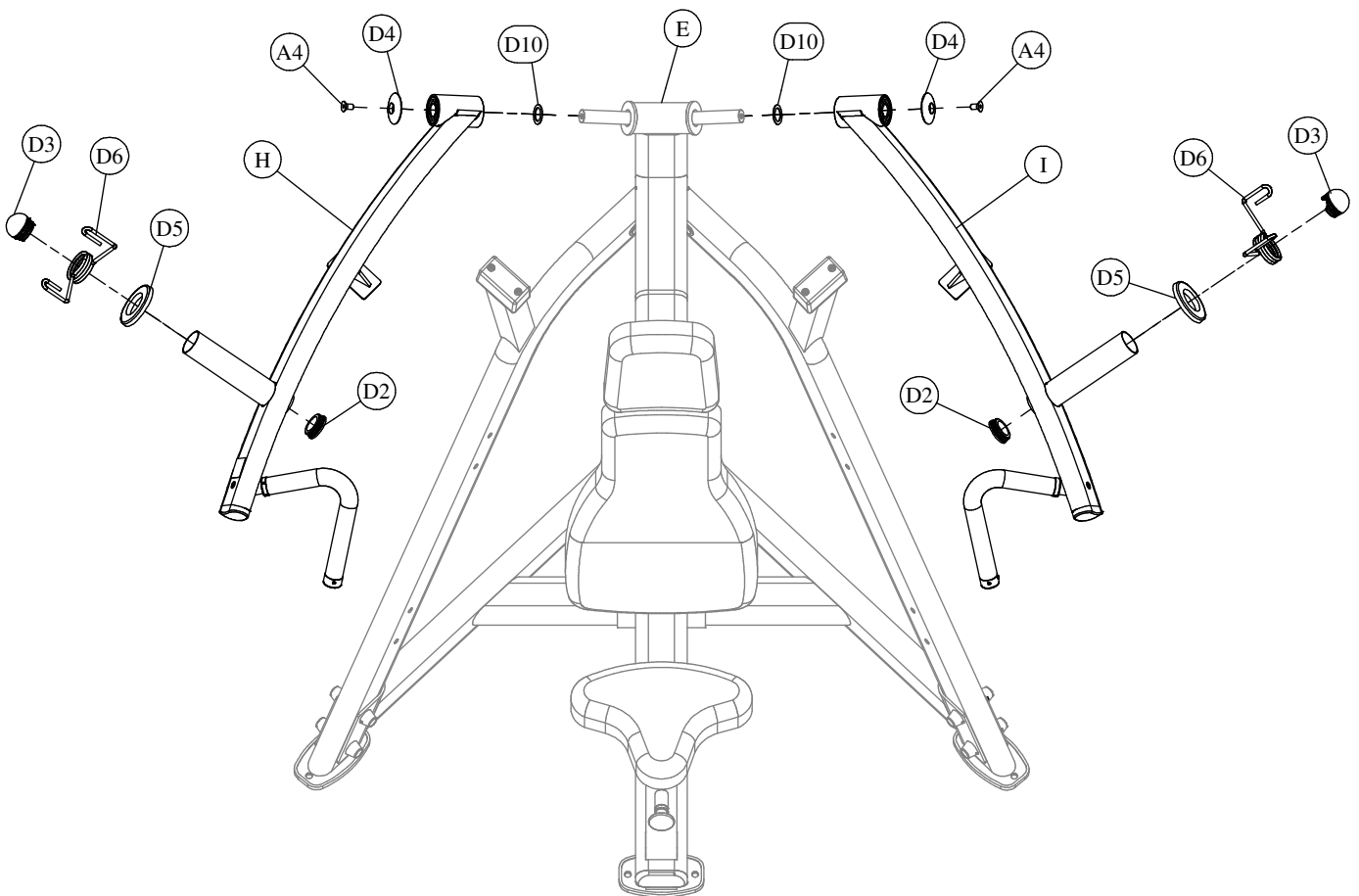


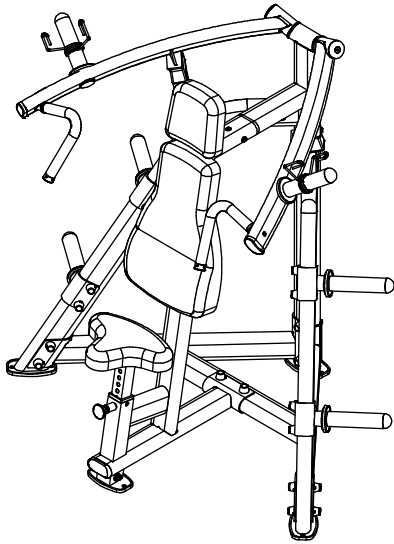
Above shows STEP 3 assembled and completed





Above shows STEP 4 assembled and completed





Above shows STEP 5 assembled and completed

