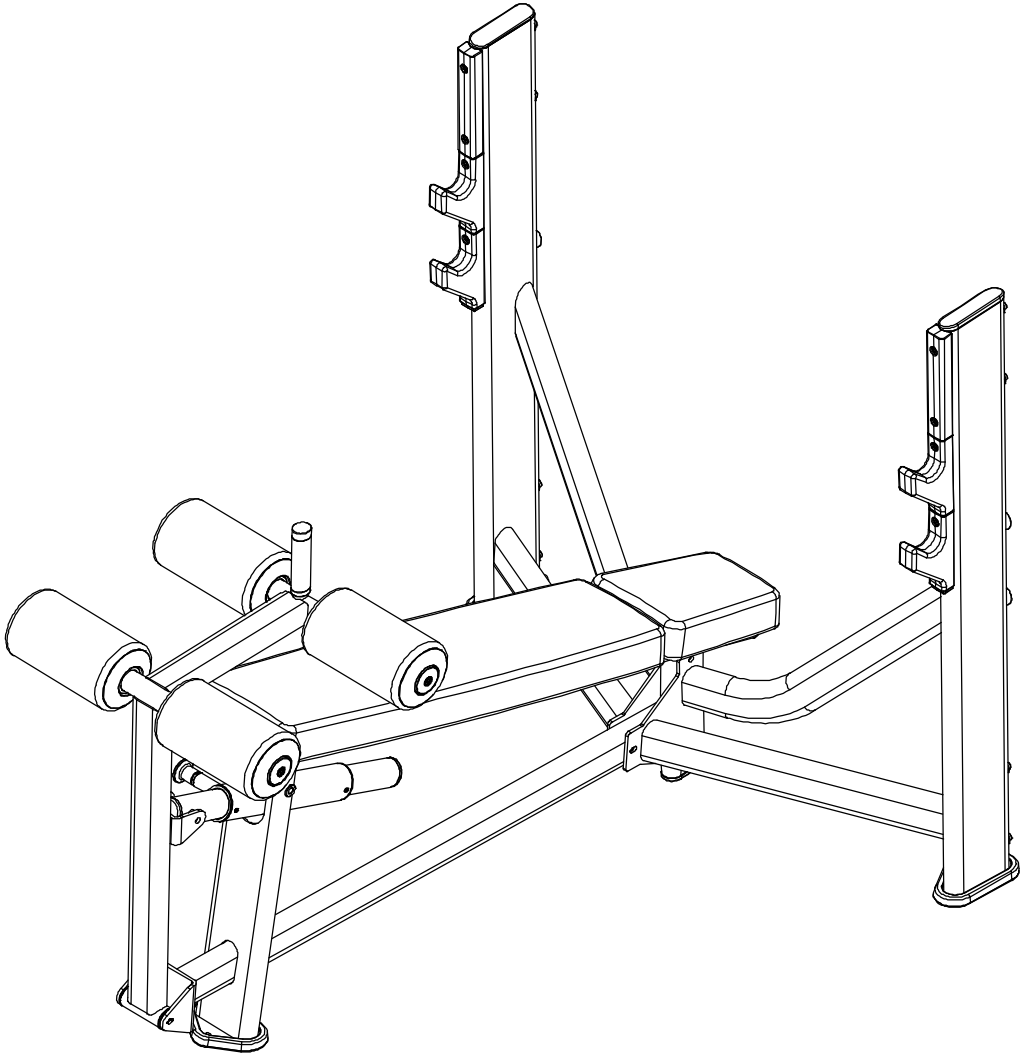


OLYMPIC DECLINE BENCH

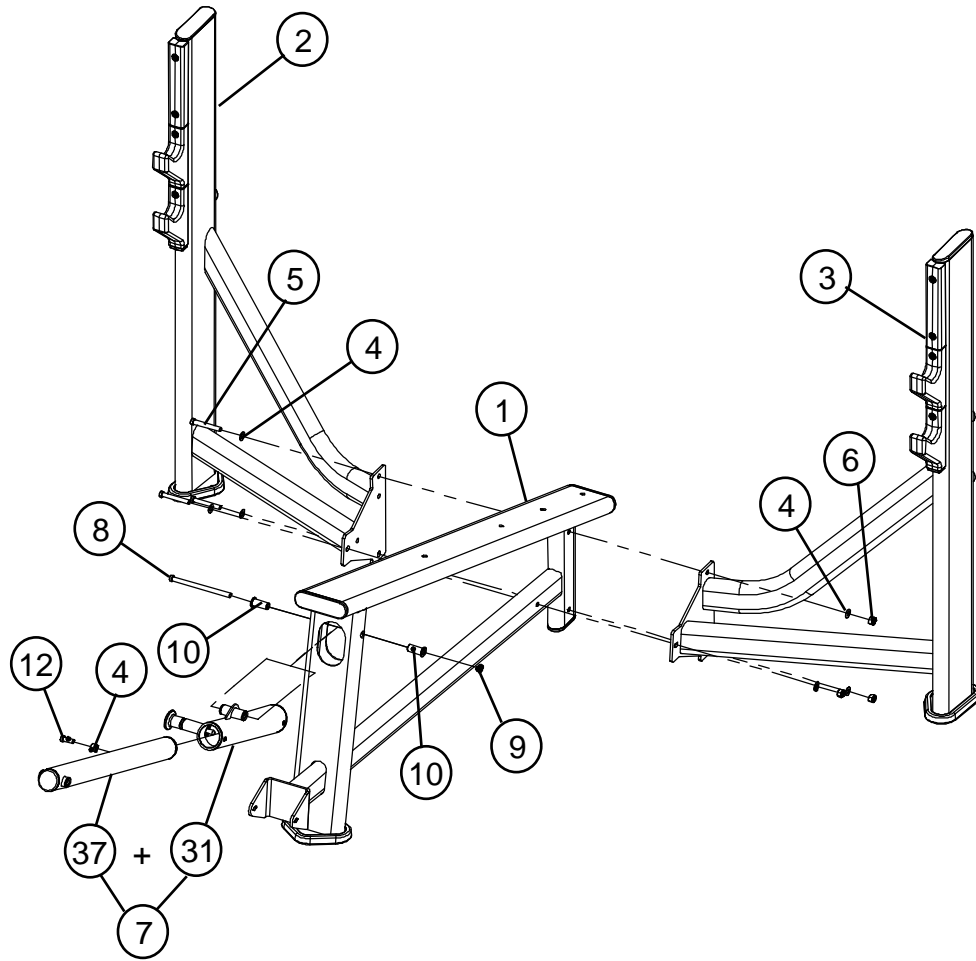


PARTS LIST

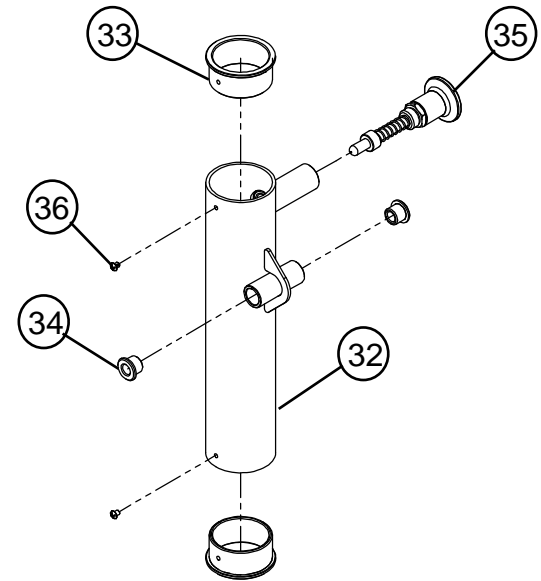
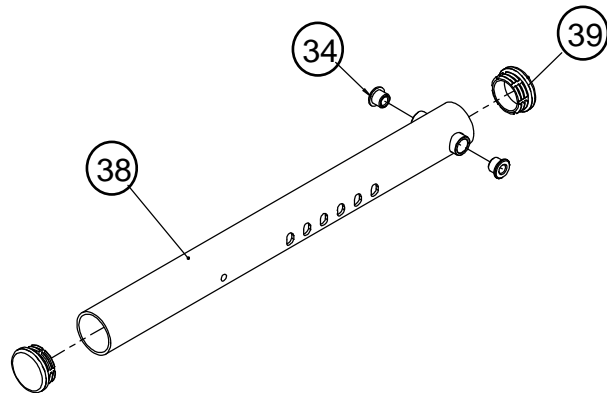
ITEM	QTY.	PART NO.	Paragon P/N	DESCRIPTION	CHINESE DESCRIPTION
1	1	53465PA	P20-3060	PTD ASSY, ODB BENCH FRAME	支撐管組
2	1	53467PA	P20-3062	PTD ASSY, ODB RIGHT UPRIGHT	右立管組
3	1	53469PA	P20-3061	PTD ASSY, ODB LEFT UPRIGHT	左立管組
4	14	2001101		WASHER, FLAT 3/8 SAE ST ZN	平面華司 20X10.5X1.0T
5	3	2005410		BOLT, 3/8-16 X 2-3/4" (70mm) SOCKET HEAD	六角承窩螺絲 3/8"x 2-3/4"L
6	4	2001201		NUT, 3/8-16 LK ST ZN	尼龍螺帽3/8"-16x11T
7	1	5324501-B	P20-3064+P20-3065	ASSY, ODB KHD ADJ	調整管組
8	1	2005423		BOLT, 3/8-16 X 6" (152mm) SOCKET HEAD	六角承窩螺絲 3/8"x 6"L
9	1	2004301		NUT, 3/8-16 LH LK ST ZN	尼龍螺帽3/8"-16x7.2T
10	2	5096001-B	P08-0076	SPACER, FLNG 16.2 X 10.1 X 37.5 (P08-0076)	T帽套管
11	1	52882PA-C	P20-3063	PTD ASSY, ODB KHD	泡棉管組
12	14	2006403		BOLT, 3/8-16 X 1" (25mm) SOCKET HEAD W/NP	六角承窩螺絲 3/8"x 1"L 點耐落
13	1	2005415		BOLT, 3/8-16 X 4" (102mm) SOCKET HEAD	六角承窩螺絲 3/8"x 4"L
14	1	5276801-A	P07-0441	PAD, HEAD	頭墊
15	4	2006410		BOLT, 3/8-16 X 2-3/4" (70mm) SOCKET HEAD W/NP	六角承窩螺絲 3/8"x 2-3/4"L 點耐落
16	1	5277101-A	P07-0440	PAD, BACK	背墊
17	4	5246701-D	P06-2169	PAD, SHORT ROLLER	泡棉管組
18	4	5222201-A	P05-0978	CAP, AL ROLLER PAD	鋁華司
19	1	5287101	P04-2925	ODB BENCH FRAME WELDMENT	支撐管
20	4	5205401-A	P06-2129	END CAP, FLATOVAL	橢圓管塞
21	1	5205201-A	P06-2188	CUSHION	緩衝墊
22	3	5257201-A	P06-2203	RUBBER FOOT PAD	橡膠墊
23	1			WASHER, FLAT 16 X 6.5 X 1.0T	平面華司16X6.5X1.0T
24	1	2006503		BOLT, 1/4-20 X 3/4" (19mm) SOCKET HEAD W/NP	六角承窩螺絲 1/4"x 3/4"L 點耐落
25	1	5287601	P04-2927	ODB RIGHT UPRIGHT WELDMENT	右立管組
26	2	5289301-E	P06-2241	UPPER UPRIGHT COVER	塑膠護蓋
27	4	5289201-E	P06-2242	PLASTIC RACK	塑膠護蓋
28	8	2003001		WASHER, 3/8" SAE CURVED	弧形華司
29	8	2006401		BOLT, 3/8-16 X 3/4" (19mm) SOCKET HEAD W/NP	六角承窩螺絲 3/8"x 3/4"L 點耐落
30	1	5288001	P04-2926	ODB LEFT UPRIGHT WELDMENT	左立管組
31	1	53010PA	P20-3064	ODB KHD ADJUMENT	外調整管組
32	1	5301001	P04-2929	ODB KHD ADJ WELDMENT	外調整管組
33	2	5234301-B	P06-2131	ADJUSTMENT SLEEVE	中管塞
34	4		P08-0156	BUSHING	含油軸承
35	1		P11-0189	ADJUSTMENT PIN	彈簧插鞘組

36	2			SCREW, 10-32 X 5MM) PAN HEAD W/NP	大扁頭十字螺絲#10-32x 5MML 點耐落
37	1	53011PA	P20-3065	ODB KHD ADJUSTER	內調整管組
38	1	5301101	P04-2930	ODB KHD ADJUSTER WELDMENT	內調整管組
39	2		P06-0349	ROUND END CAP	圓管內塞
40	1	5288201	P04-2928	ODB KHD WELDMENT	泡棉管組
41	1	5095701-B	P05-1001	ALUMINUM CAP	鋁蓋
42	1	5095601-B	P05-1002	COLLAR	固定軸套
43	1	5234701-A	P06-2217	HAND GRIP	把手套
44	2		P08-0037	BUSHING	含油軸承
45	4			SET SCREW M4x3mmL	止付螺絲
46	1	5288201	P03-2031	SHAFT	鐵心

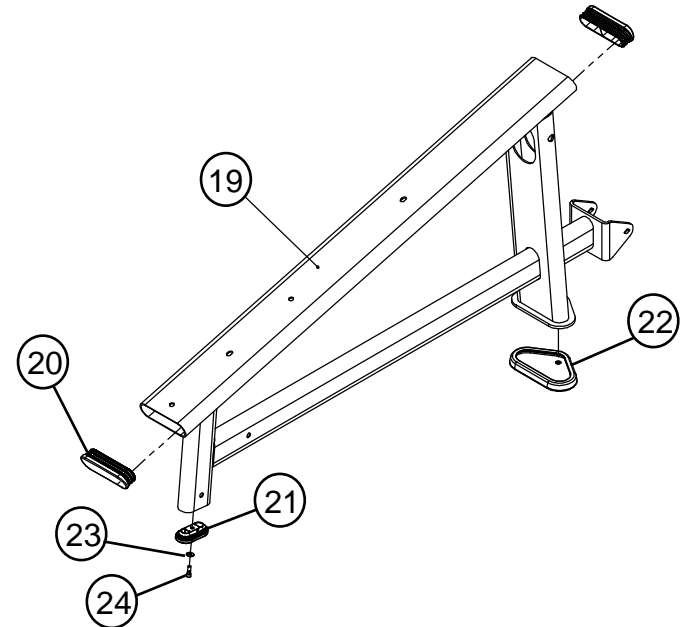
#31 P/N 53010PA PTD ASSY, ODB KHD ADJUSTMENT

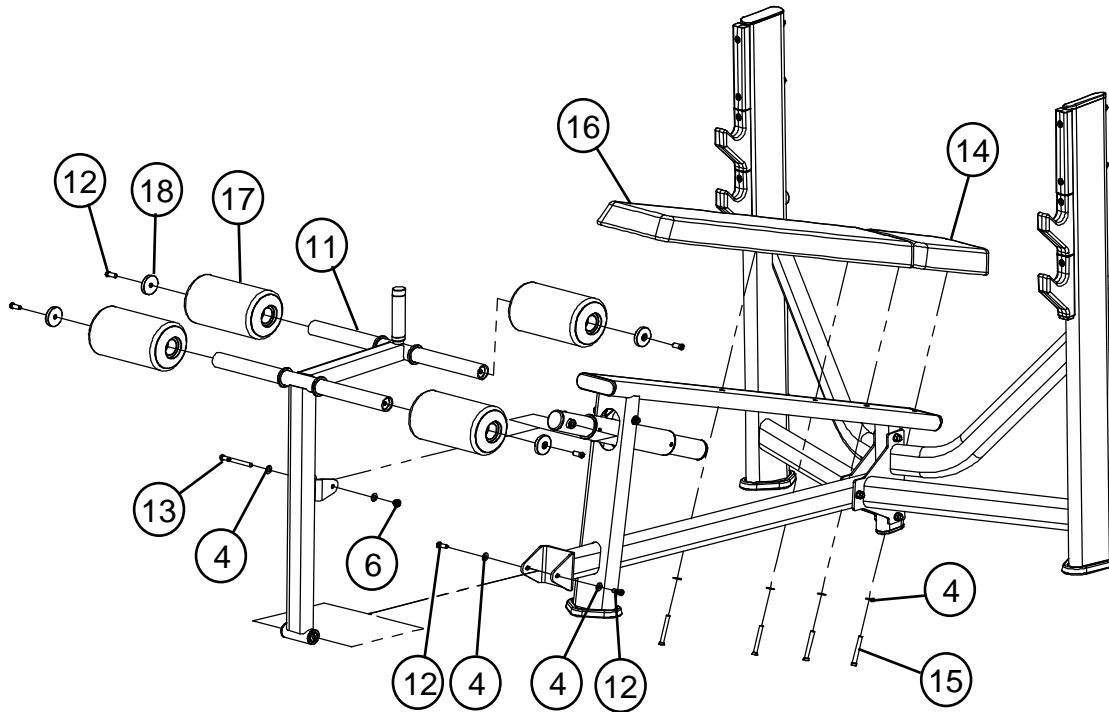


#37 P/N 53011PA PTD ASSY, ODB KHD ADJUSTER



#1 P/N 53465PA PTD ASSY, ODB BENCH FRAME





#11 P/N 52882PA-C PTD ASSY, ODB KHD

#2 P/N 53467PA PTD ASSY, ODB RIGHT UPRIGHT

#3 P/N 53469PA PTD ASSY, ODB LEFT UPRIGHT

