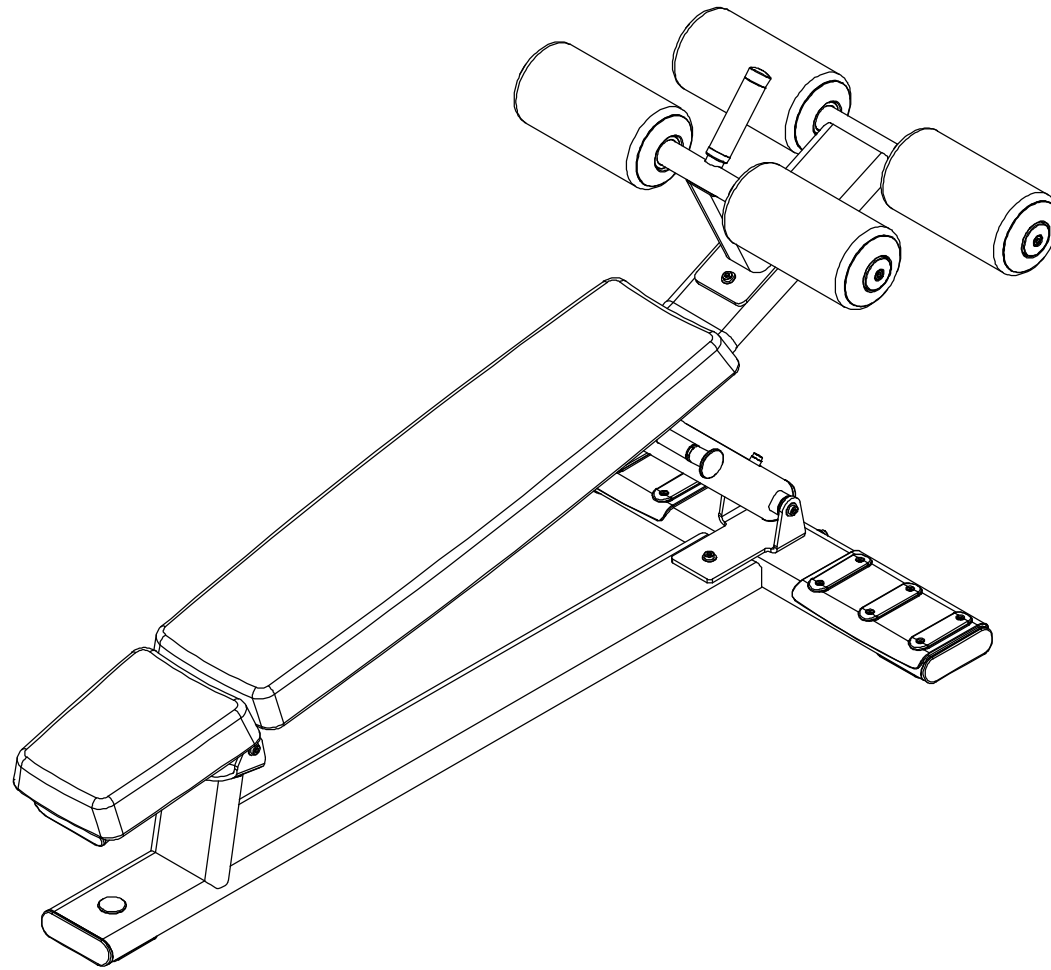


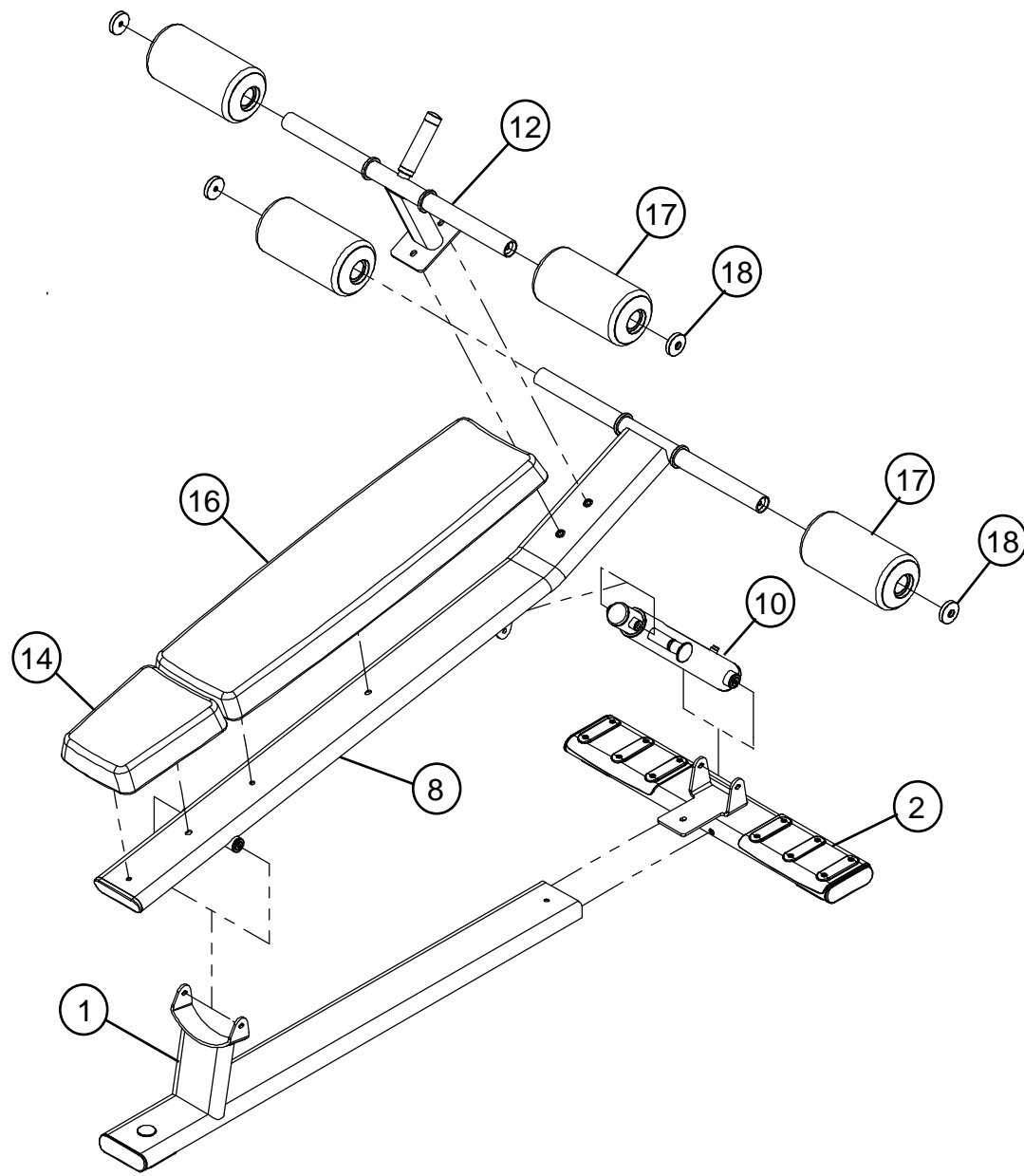
ADJUSTABLE AB BENCH



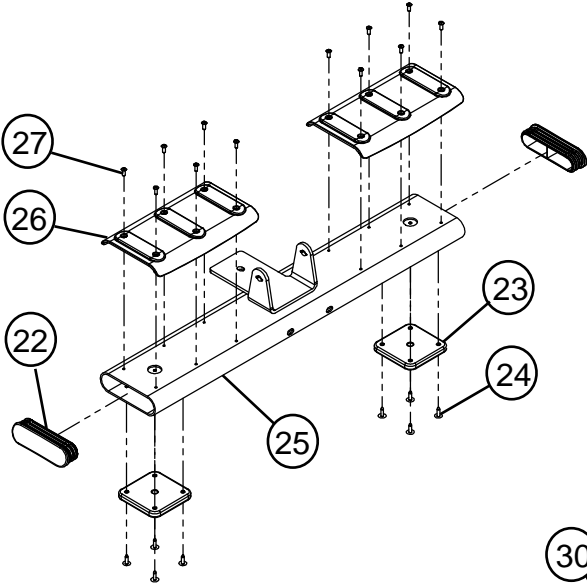
PARTS LIST

ITEM	QTY	PART NO	Paragon P/N	DESCRIPTION	CHINESE DESCRIPTION
1	1	53049PA-B	P20-3129	PTD ASSY, AAB BASE	底管組
2	1	53053PA-A	P20-3121	PTD ASSY, FRONT LEG	后橫管組
3	2	2003001		WASHER, 3/8" SAE CURVED	弧形華司
4	2	2006424		BOLT, 3/8-16 X 6-1/4" (159mm) SOCKET HEAD W/NP	六角承窩螺絲 3/8"x 6-1/4"L 點耐落
5	16	2001101		WASHER, FLAT 3/8 SAE ST ZN	平面華司 20X10.5X1.0T
6	1	2005403		BOLT, 3/8-16 X 1" (25mm) SOCKET HEAD	六角承窩螺絲 3/8"x 1"L
7	4	2001201		NUT, 3/8-16 LK ST ZN	尼龍螺帽3/8"-16x11T
8	1	53056PA-A	P20-3130	PTD ASSY, AAB FRAME	固定管組
9	4	2006404		BOLT, 3/8-16 X 1-1/4" (32mm) SOCKET HEAD W/NP	六角承窩螺絲 3/8"x 1-1/4"L 點耐落
10	1	5306201-B	P20-3133	ASSY, AAB PAD ADJUST	活動調整管組
11	1	2005417		BOLT, 3/8-16 X 4-1/2" (114mm) SOCKET HEAD	六角承窩螺絲 3/8"x 4-1/2"L
12	1	53071PA-C	P20-3134	PTD ASSY, AAB KNEE SUPPORT	泡棉管組
13	2	2005409		BOLT, 3/8-16 X 2-1/2" (64mm) SOCKET HEAD	六角承窩螺絲 3/8"x 2-1/2"L
14	1	5276801-A	P07-0441	PAD, HEAD	頭墊
15	4	2006410		BOLT, 3/8-16 X 2-3/4" (70mm) SOCKET HEAD W/NP	六角承窩螺絲 3/8"x 2-3/4"L 點耐落
16	1	5277101-A	P07-0440	PAD, BACK	背墊
17	2	5246701-D	P06-2169	PAD, SHORT ROLLER	泡棉管組
18	2	5222201-A	P05-0978	CAP, AL ROLLER PAD	鋁華司
19	2	2006403		BOLT, 3/8-16 X 1" (25mm) SOCKET HEAD W/NP	六角承窩螺絲 3/8"x 1"L 點耐落
20	1	5304901	P04-2964	AAB BASE WELDMENT	底管
21	1		P06-0134	CAP, HOLE	扣塞
22	1	5205401-A	P06-2129	END CAP, FLATOVAL	橢圓管塞
23	1	5271701-A	P06-2204	FOOT PAD	腳墊
24	4			RIVET	拉釘
25	1		P04-2960	FRONT LEG	后橫管
26	2	5226901-A	P06-2136	TREAD COVER	腳墊
27	12	2004802		SCREW, 10-32 X 1/2" (12MM) PAN HEAD W/NP	大扁頭十字螺絲#10-32x1/2"L 點耐落
28	1	5305601	P04-2965	AAB FRAME WELDMENT	固定管
29	1	5306101	P03-2044	SHAFT	鐵心
30	2		P08-0048	BUSHING	含油軸承
31	1	53063PA	P20-3131	AAB PAD ADJUST	外調整管組
32	1	53066PA	P20-3132	AAB PAD ADJUST TELESCOPE	內調整管組
33	1	5234801-A	P03-2019	SPACER	套管
34	1	5315601	P03-2045	SHAFT	鐵心
35	1	5226801-A	P06-2130	ROUND END CAP	圓管內塞
36	1	5307001	P06-2289	CUSHION	塑膠墊
37	1	5306601	P04-2967	AAB PAD ADJUST WELDMENT	外調整管
38	1	523401-B	P06-2131	SLEEVE	中管塞
39	1	5297801-B	P11-0189	ADJUSTMENT PIN	彈簧插鞘組
40	1			SCREW, 10-32 X 5MM) PAN HEAD W/NP	大扁頭十字螺絲#10-32x 5MML 點耐落

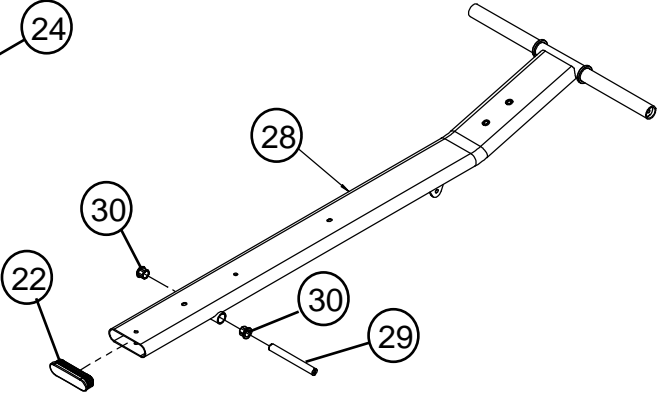
41	1	5306601	P04-2967	AAB PAD ADJUST TELESCOPE WELDMENT	內調整管
42	1		P06-0349	ROUND END CAP	圓管內塞
43	2		P08-0156	BUSHING	含油軸承
44	1	5307101	P04-2966	AAB KNEE SUPPORT	泡棉管
45	2	5095701-B	P05-1001	ALUMINUM CAP	鋁蓋
46	2	5095601-B	P05-1002	COLLAR	固定軸套
47	1	5234701-A	P06-2217	HAND GRIP	把手套
48	8			SET SCREW M4x3mmL	止付螺絲



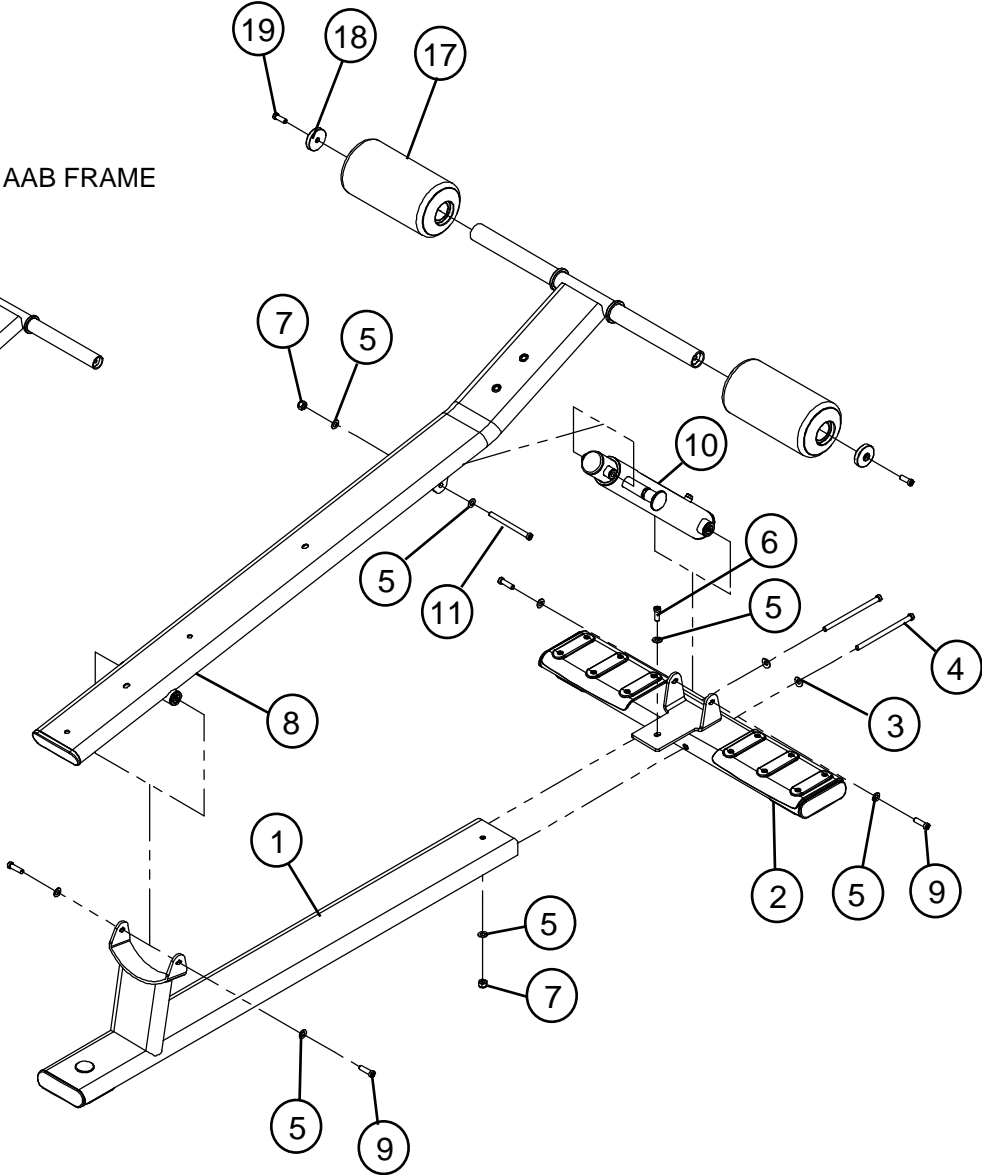
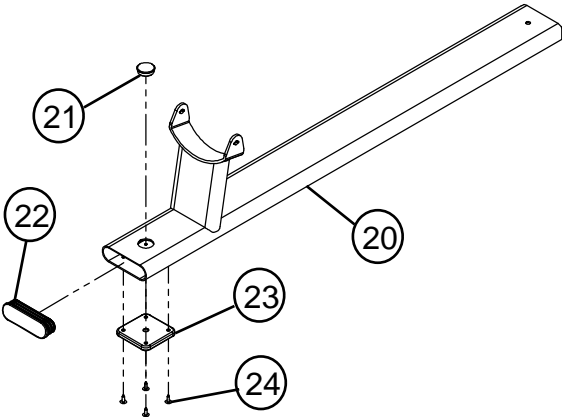
#2 P/N 53053PA-A PTD ASSY, FRONT LEG



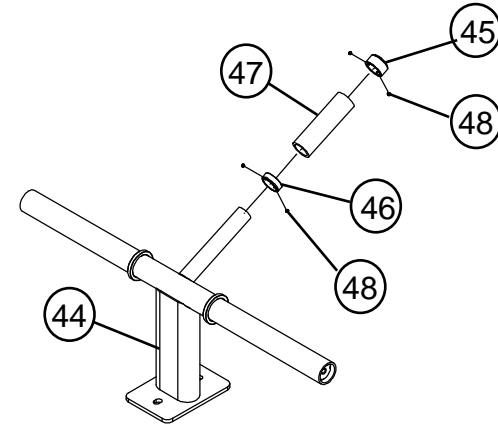
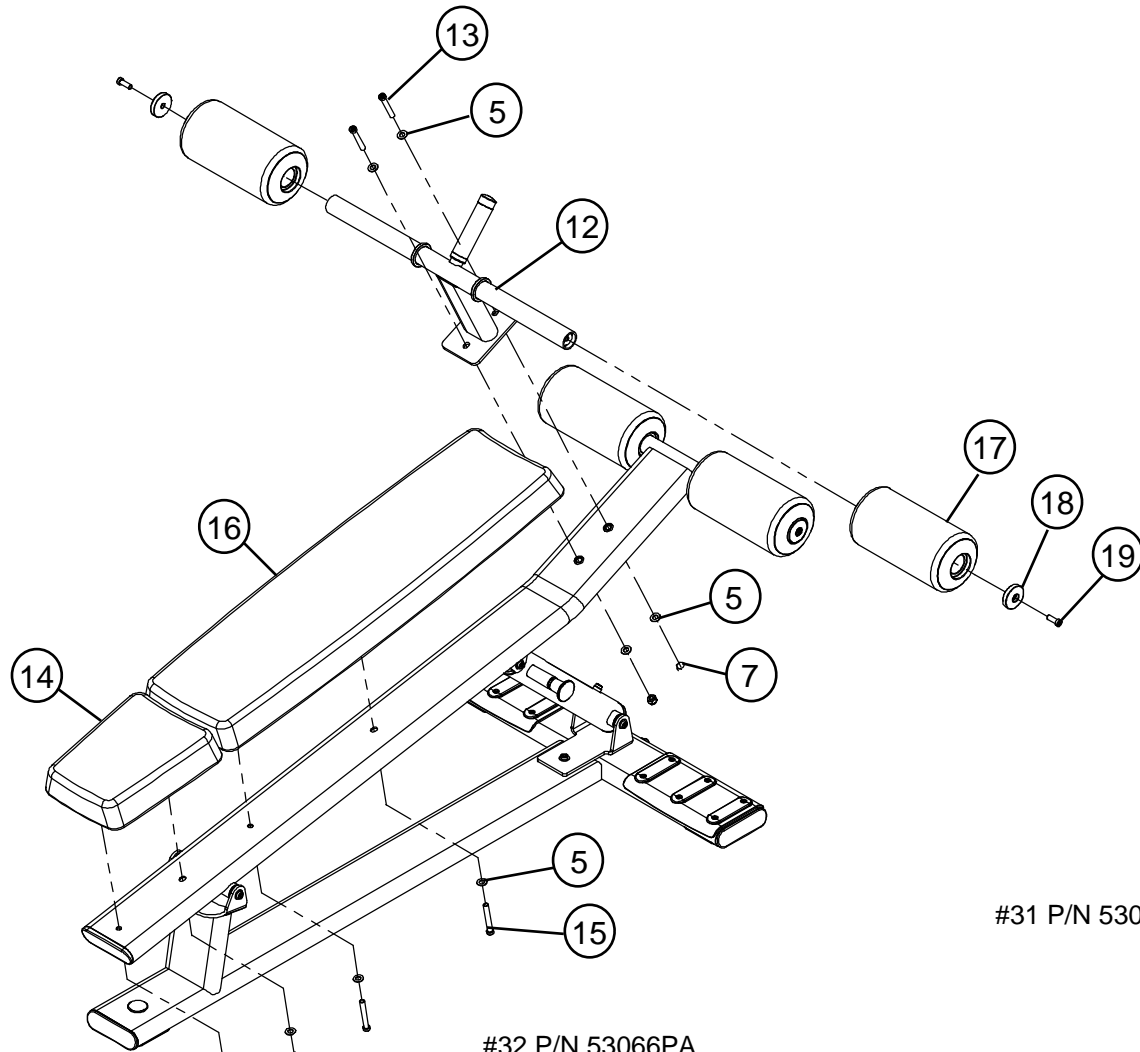
#8 P/N 53056PA-A PTD ASSY, AAB FRAME



#1 P/N 53049PA-B PTD ASSY, AAB BASE

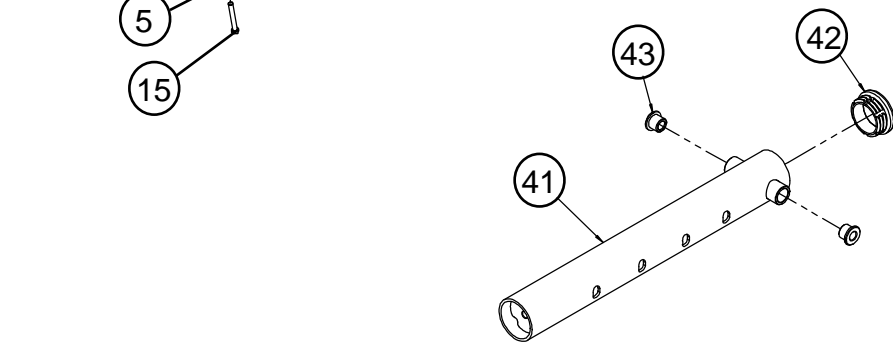


#12 P/N 53071PA-C PTD ASSY, AAB KNEE SUPPORT



#10 P/N 5306201-B ASSY, AAB PAD ADJUST

#32 P/N 53066PA
AAB PAD ADJUST TELESCOPE



#31 P/N 53063PA AAB PAD ADJUST

