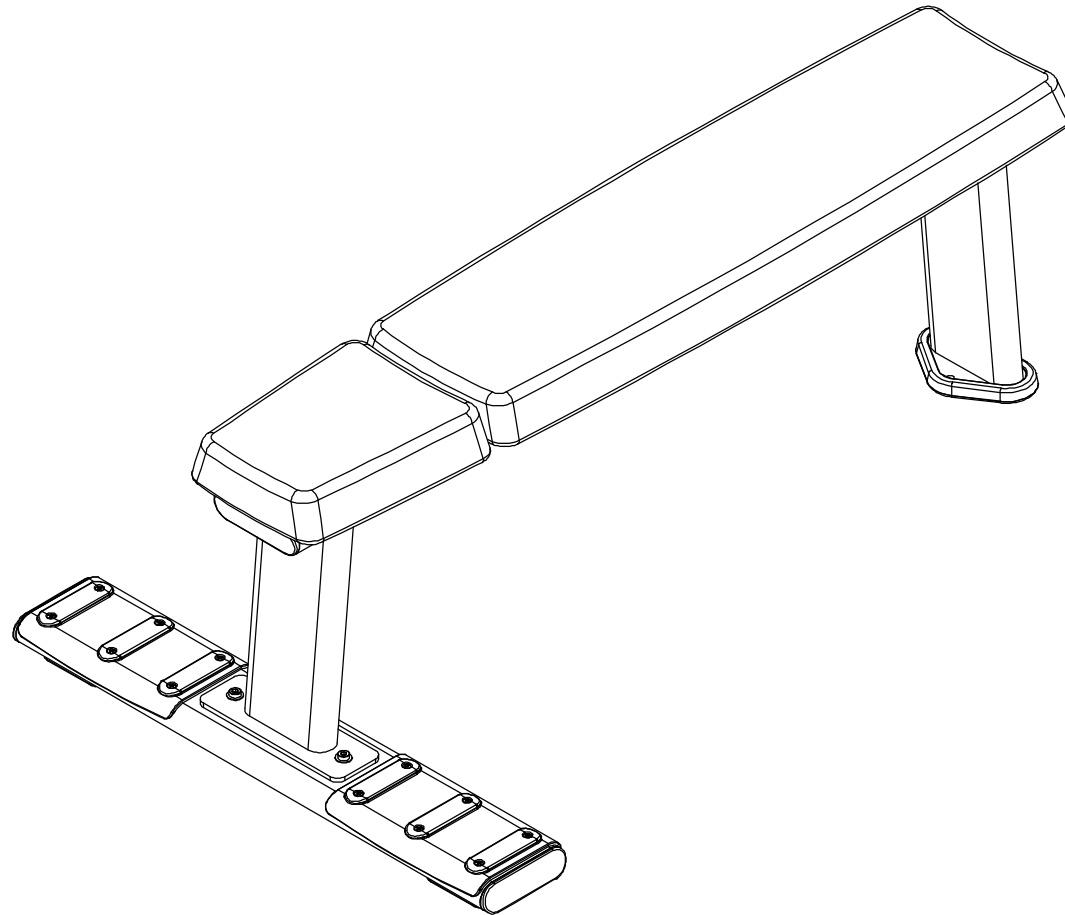
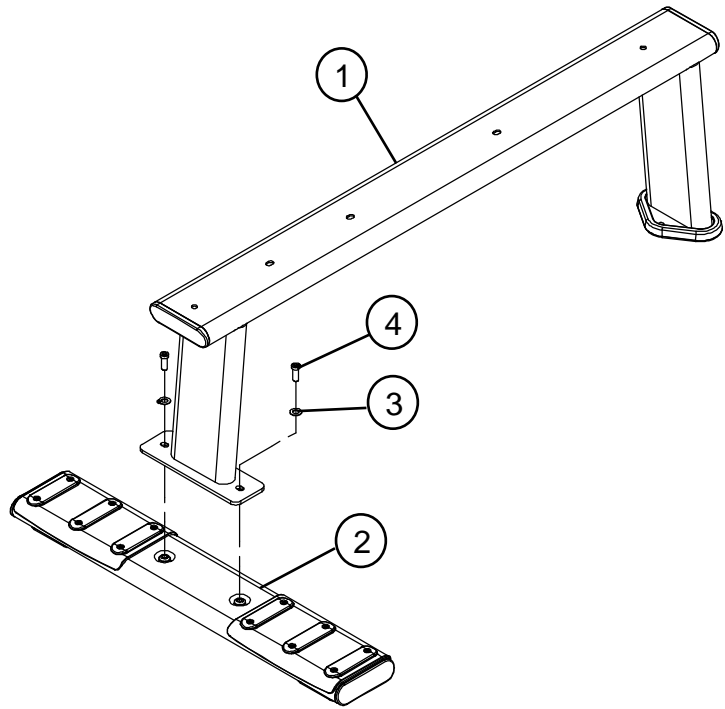


FLAT BENCH

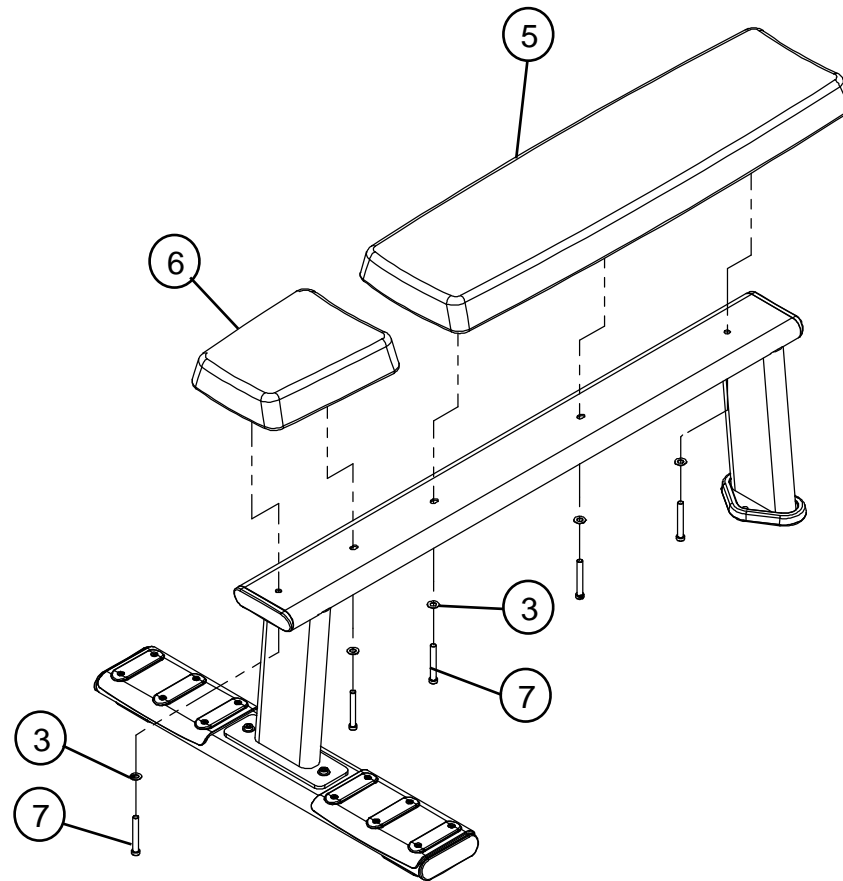


PARTS LIST

ITEM	QTY	PART NO	Paragon P/N	DESCRIPTION	CHINESE DESCRIPTION
1	1	53016PA-A	P20-3117	PTD ASSY, FB FRAME	固定管組
2	1	53018PA-A	P20-3118	PTD ASSY, BENCH LEG	橫管組
3	7	2001101		WASHER, FLAT 3/8 SAE ST ZN	平面華司 20X10.5X1.0T
4	2	2006403		BOLT, 3/8-16 X 1" (25mm) SOCKET HEAD W/NP	六角承窩螺絲 3/8"x 1"L 點耐落
5	1	5277101-A	P07-0440	PAD, BACK	背墊
6	1	5276801-A	P07-0441	PAD, HEAD	頭墊
7	5	2006410		BOLT, 3/8-16 X 2-3/4" (70mm) SOCKET HEAD W/NP	六角承窩螺絲 3/8"x 2-3/4"L 點耐落
8	1	5301601	P04-2948	FB FRAME WELDMENT	固定管組
9	2	5205401-A	P06-2129	END CAP, FLATOVAL	橢圓管塞
10	1	5257201-A	P06-2203	RUBBER FOOT PAD	橡膠墊
11	1	5301801	P04-2949	BENCH LEG WELDMENT	橫管組
12	2	5226901-A	P06-2136	TREAD COVER	腳墊
13	1	5271701-A	P06-2204	FOOT PAD	腳墊
14	8			RIVET	拉釘
15	12	2004802		SCREW, 10-32 X 1/2" (12MM) PAN HEAD W/NP	大扁頭十字螺絲#10-32x1/2"L 點耐落



#2 P/N 53018PA-A PTD ASSY, BENCH LEG
(BOTTOM VIEW)



#1 P/N 53016PA-A PTD ASSY, FB FRAME

