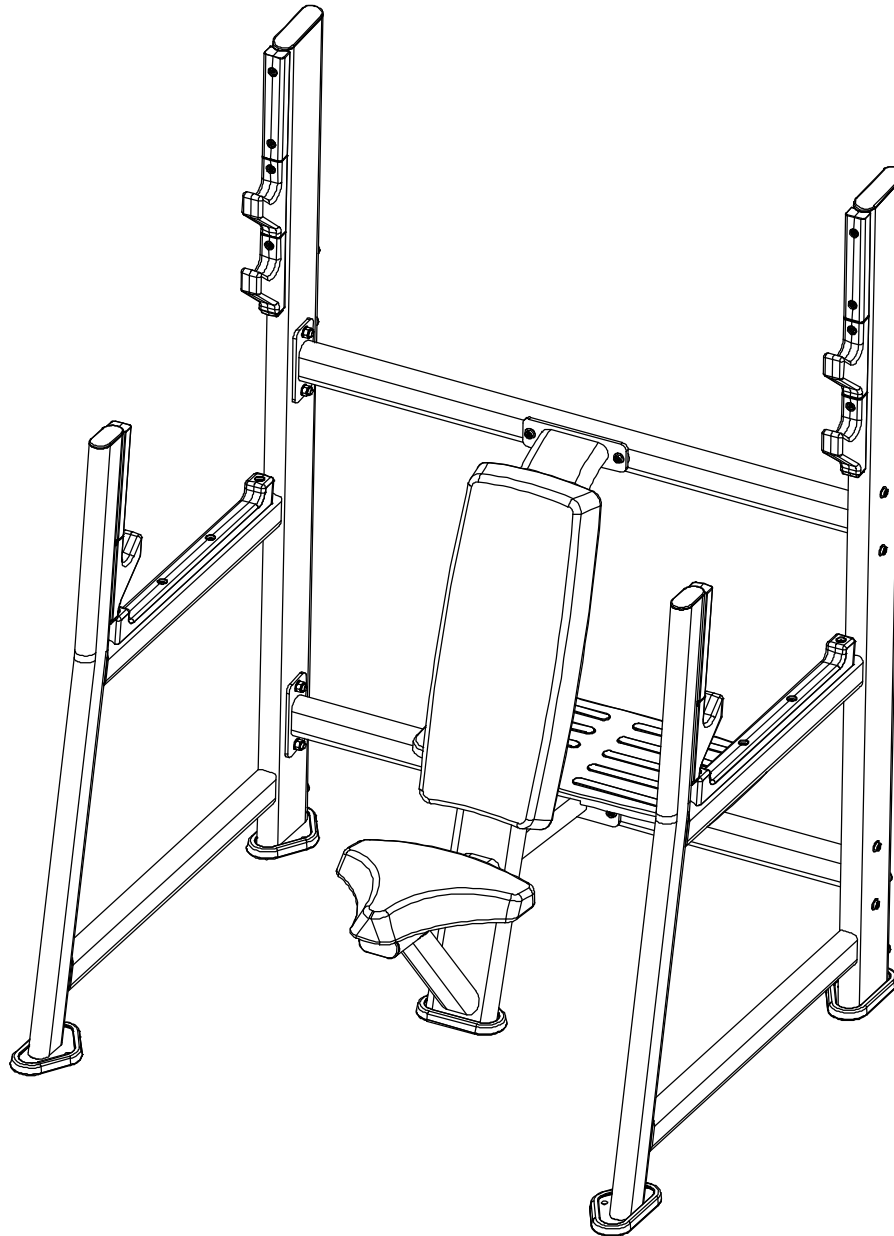
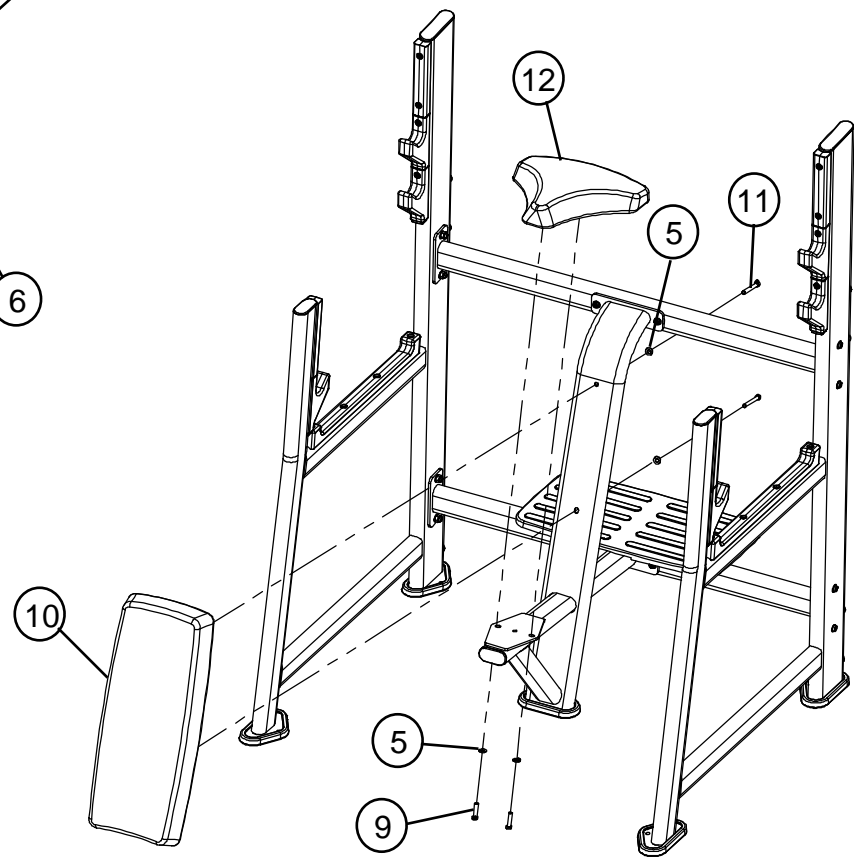
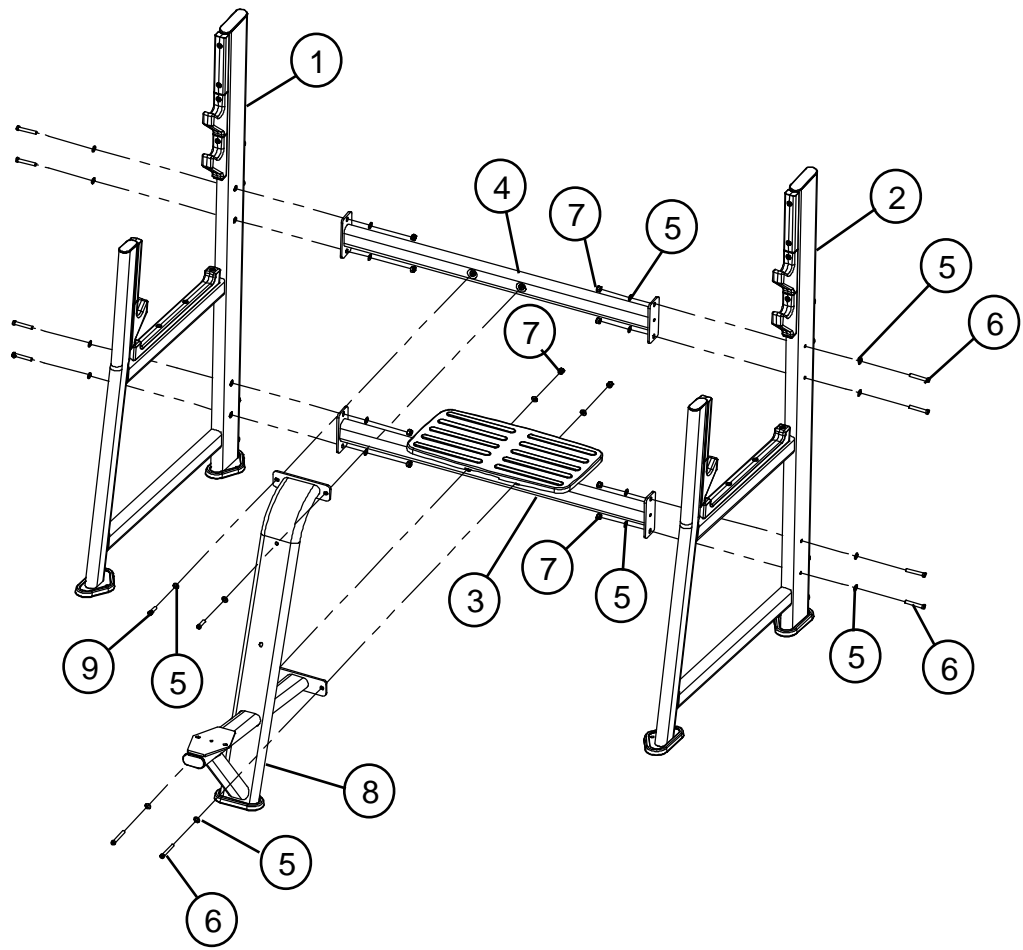


OLYMPIC MILITARY BENCH

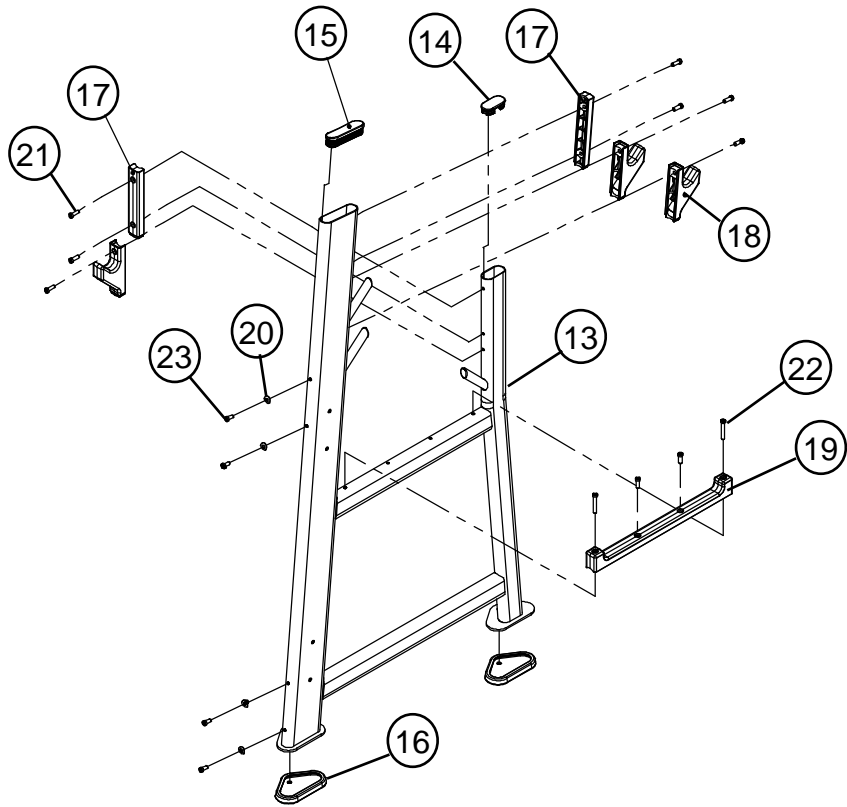


PARTS LIST

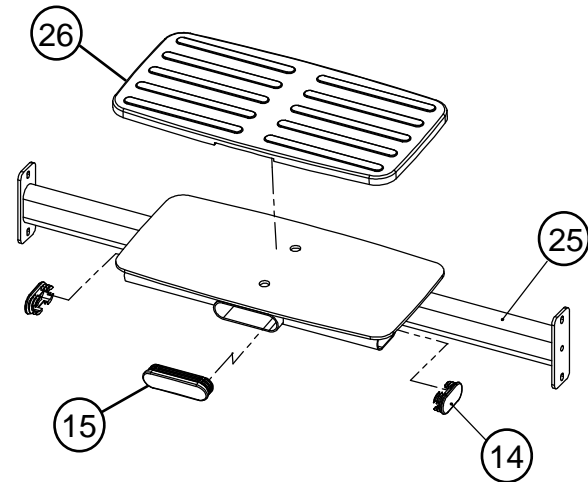
ITEM	QTY.	PART NO.	Paragon P/N	DESCRIPTION	CHINESE DESCRIPTION
1	1	53203PA-A	P20-3189	PTD ASSY, OMB RIGHT UPRIGHT	立管組右
2	1	53217PA-A	P20-3190	PTD ASSY, OMB LEFT UPRIGHT	立管組左
3	1	53218PA-A	P20-3192	PTD ASSY, OMB LOWER CROSS SUPPORT	連接管組
4	1	53222PA-A	P04-2988	PTD ASSY, OMB UPPER CROSS SUPPORT	連接管組
5	26	2001101		WASHER, FLAT 3/8 SAE ST ZN	平面華司 20X10.5X1.0T
6	10	2005409		BOLT, 3/8-16 X 2-1/2" (64mm) SOCKET HEAD	六角承窩螺絲 3/8"x 2 1/2"L
7	10	2001201		NUT, 3/8-16 LK ST ZN	尼龍螺帽3/8"-16x11T
8	1	53223PA-A	P20-3191	PTD ASSY, OMB FRAME	固定管組
9	4	2006405		BOLT, 3/8-16 X 1-1/2" (38mm) SOCKET HEAD W/NP	內六角承窩螺絲 3/8"X 1 1/2"L 點耐落
10	1	5308501-A	P07-0434	PAD, MEDIUM BACK	背墊
11	2	2006410		BOLT, 3/8-16 X 2-3/4" (70mm) SOCKET HEAD W/NP	六角承窩螺絲 3/8"x 2-3/4"L 點耐落
12	1	5246201-B	P07-0449	PAD, SMALL SEAT	座墊
13	1	5320301	P04-2986	OMB RIGHT UPRIGHT WELDMENT	立管組右
14	3		A06-0529	FLATOVAL END CAP	橢圓管塞
15	3	5205401-A	P06-2129	END CAP, FLATOVAL	橢圓管塞
16	2	5257201-A	P06-2203	RUBBER FOOT PAD	橡膠墊
17	4	5289301-E	P06-2241	UPPER UPRIGHT COVER	塑膠護蓋
18	6	5289201-E	P06-2242	PLASTIC RACK	塑膠護蓋
19	2	5321601	P06-2291	BAR CUSHION	塑膠塊
20	8	2003001		WASHER, 3/8" SAE CURVED	弧形華司
21	19	2006403		BOLT, 3/8-16 X 1" (25mm) SOCKET HEAD W/NP	六角承窩螺絲 3/8"x 1"L 點耐落
22	4	2006408		BOLT, 3/8-16 X 2-1/4" (57mm) SOCKET HEAD W/NP	六角承窩螺絲 3/8"x 2-1/4"L 點耐落
23	8	2006401		BOLT, 3/8-16 X 3/4" (19mm) SOCKET HEAD W/NP	六角承窩螺絲 3/8"x 3/4"L 點耐落
24	1	5321701	P04-2985	OMB LEFT UPRIGHT WELDMENT	立管組左
25	1	5321801	P04-2987	OMB LOWER CROSS SUPPORT WELDMENT	連接管組
26	1	5317801	P06-2288	FOOT PAD	腳墊
27	1	5322301	P04-2989	OMB FRAME WELDMENT	固定管組



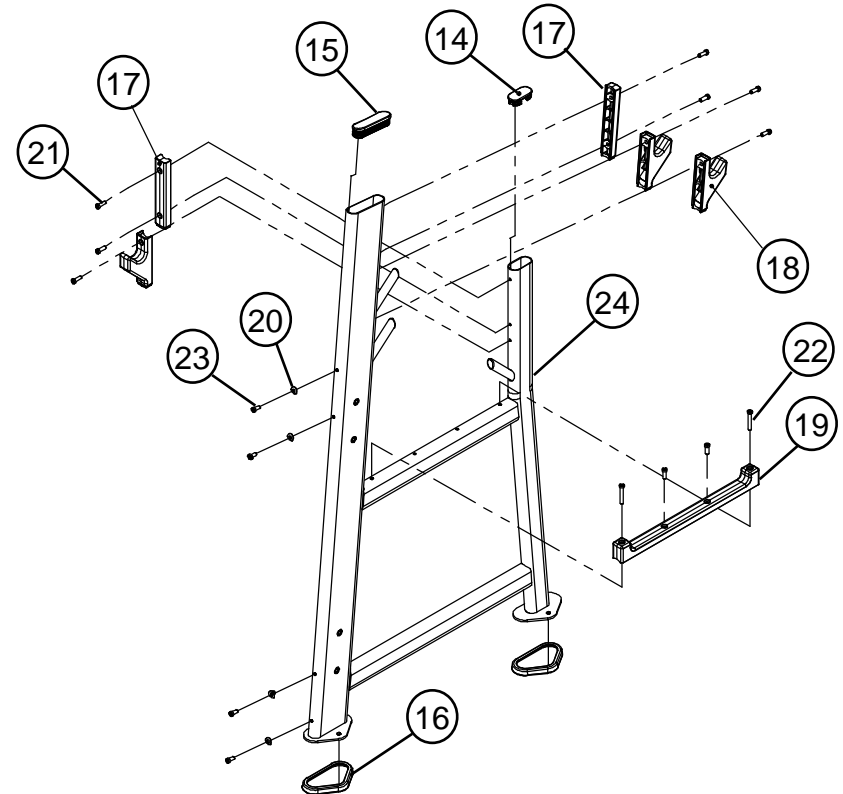
#1 P/N 532033PA-A PTD ASSY, OMB RIGHT UPRIGHT



#8 P/N 53233PA-A PTD ASSY, OMB FRAME



#2 P/N 53217PA-A PTD ASSY, OMB LEFT UPRIGHT



#8 P/N 53233PA-A PTD ASSY, OMB FRAME

