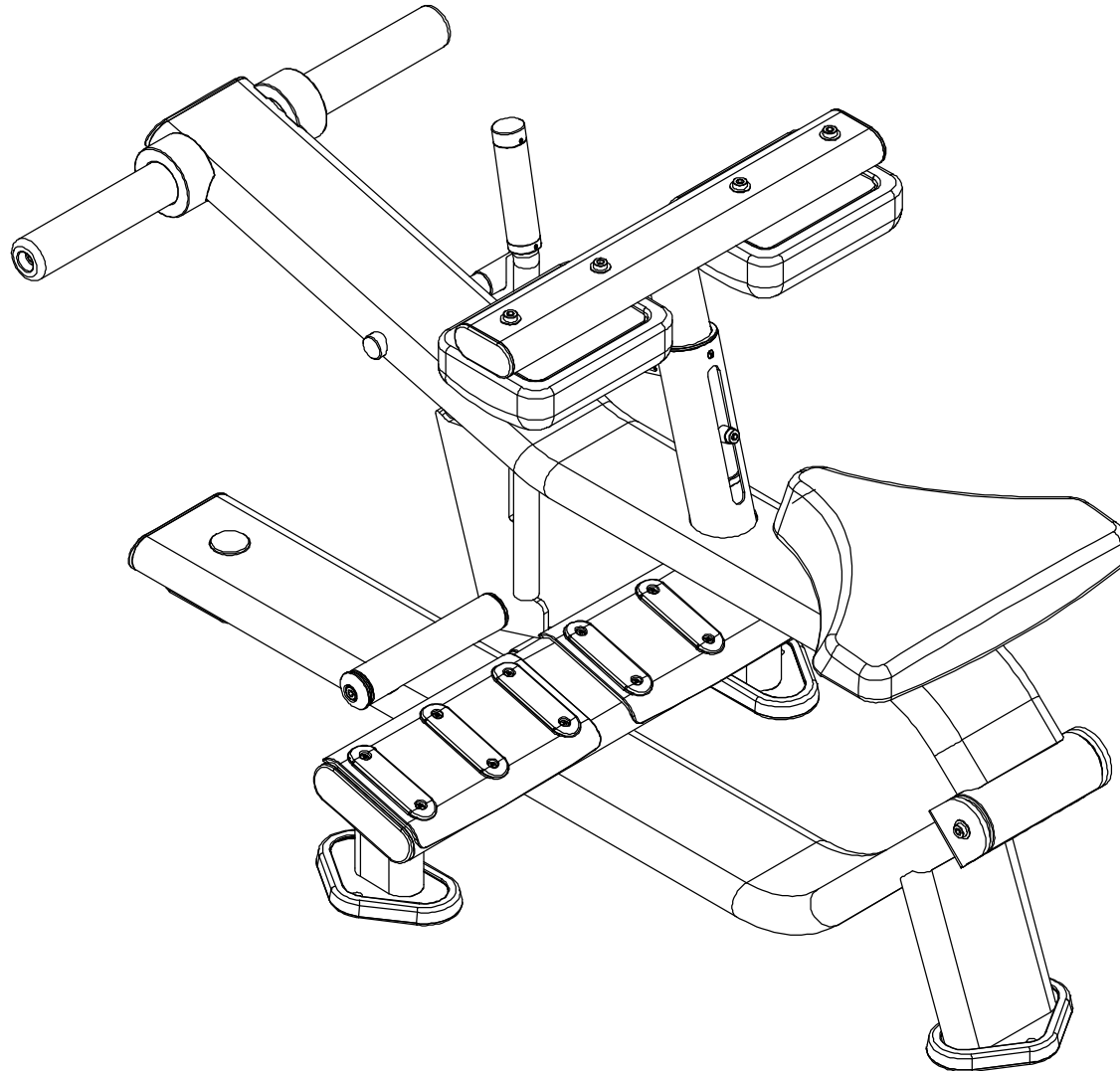


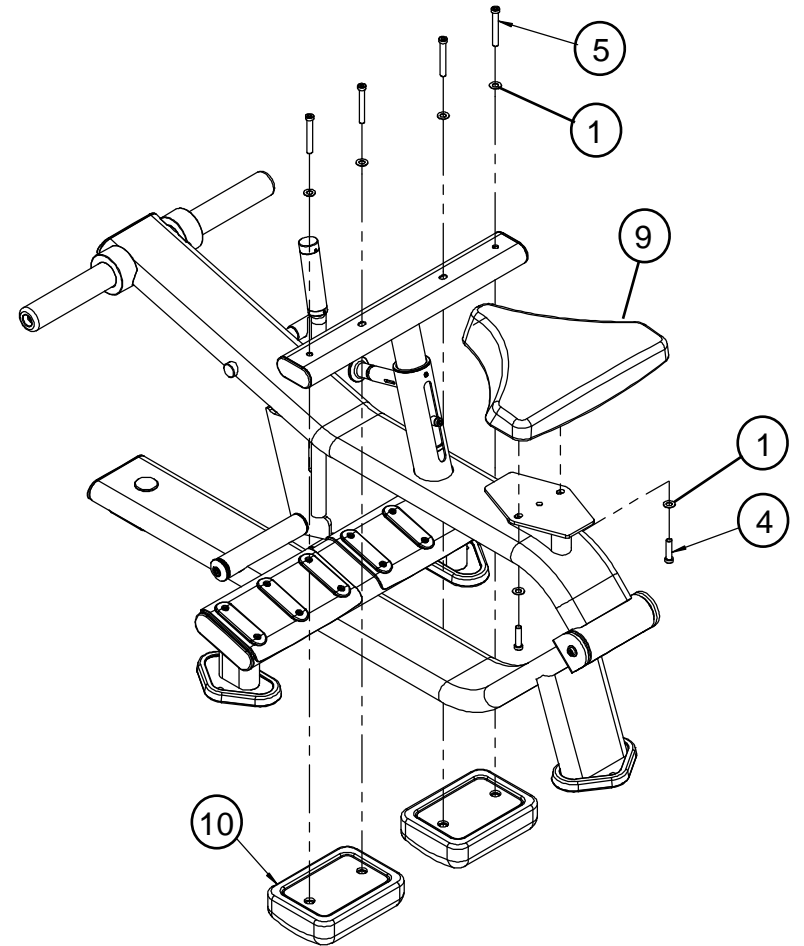
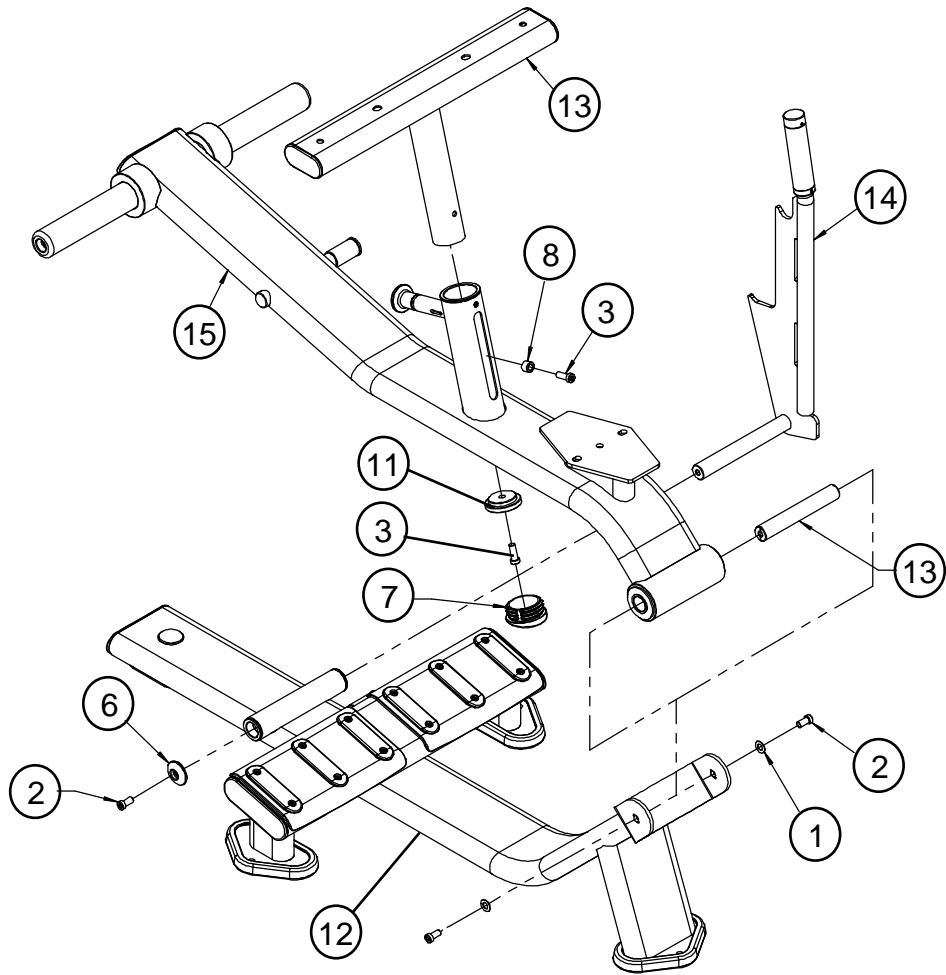
PLATE LOADED CALF RAISE



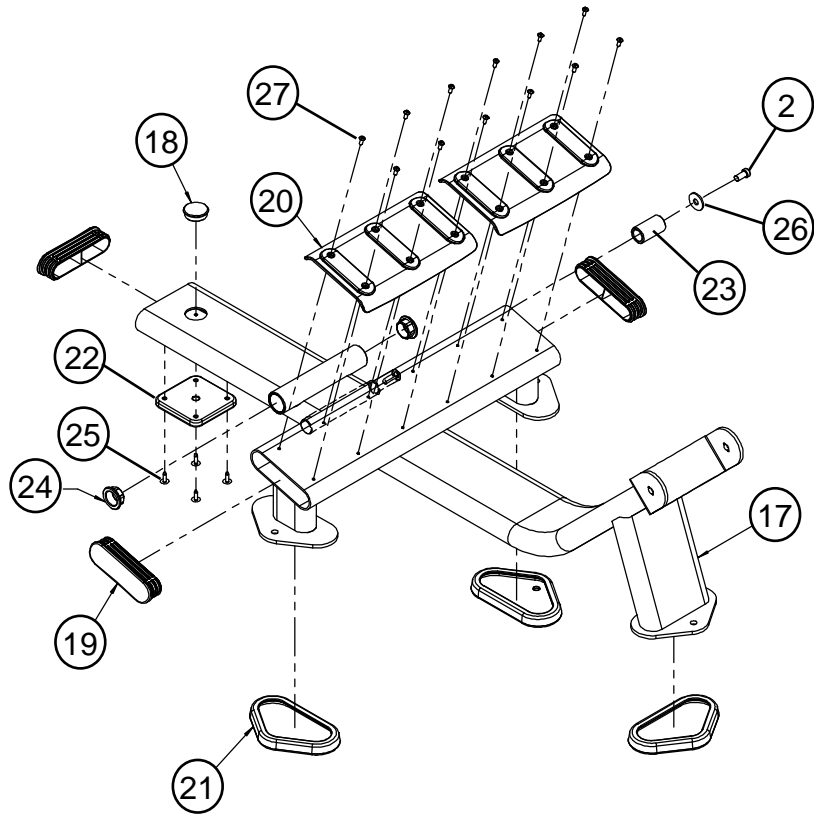
PARTS LIST

| ITEM | QTY. | PART NO. | Paragon P/N | DESCRIPTION | CHINESE DESCRIPTION |
|------|------|-----------|-------------|---|--------------------------|
| 1 | 8 | 2001101 | | WASHER, FLAT 3/8 SAE ST ZN | 平面華司 20X10.5X1.0T |
| 2 | 3 | 2006402 | | BOLT, 3/8-16 X 3/4" (19mm) SOCKET HEAD W/NP | 六角承窩螺絲 3/8"x 3/4"L 點耐落 |
| 3 | 2 | 2006403 | | BOLT, 3/8-16 X 1" (25mm) SOCKET HEAD W/NP | 六角承窩螺絲 3/8"x 1"L 點耐落 |
| 4 | 2 | 2006405 | | BOLT, 3/8-16 X 1-1/2" (38mm) SOCKET HEAD W/NP | 六角承窩螺絲 3/8"x 1 1/2"L 點耐落 |
| 5 | 4 | 2006410 | | BOLT, 3/8-16 X 2-3/4" (70mm) SOCKET HEAD W/NP | 六角承窩螺絲 3/8"x 2-3/4"L 點耐落 |
| 6 | 1 | 5208901 | P05-0981 | CAP, AL END | 鋁蓋 |
| 7 | 1 | 5226801 | P06-2130 | CAP, END 63.5 OD | 圓管內塞 |
| 8 | 1 | 5234801 | P03-2019 | BUSHING, STOP | 套管 |
| 9 | 1 | 5246201 | P07-0434 | PAD, SMALL SEAT | 座墊 |
| 10 | 2 | 5246601 | P07-0433 | PAD, 5 X 7 | 胸墊 |
| 11 | 1 | 5307001 | P06-2289 | GUIDE, 50.8 X 3.0t INTERNAL | 塑膠墊 |
| 12 | 1 | 53366PA | P20-3284 | PTD ASSY, PLCR FRAME | 固定管組 |
| 13 | 1 | 5337601 | P03-2121 | SHAFT, PIVOT | 鐵心 |
| 14 | 1 | 53382PA | P20-3287 | PTD ASSY, ROTARY STOP | 把手管組 |
| 15 | 1 | 54366PA | P20-3285 | PTD ASSY, LEVER ARM | 活動管組 |
| 16 | 1 | 54369PA | P20-3286 | PTD ASSY, KNEE PAD ADJUST | 內調整管組 |
| 17 | 1 | 5336601 | P04-3046 | PLCR FRAME WELDMENT | 固定管組 |
| 18 | 1 | 5249001 | P06-0134 | CAP, HOLE | 扣塞 |
| 19 | 3 | 5205401-A | P06-2129 | END CAP, FLATOVAL | 橢圓管塞 |
| 20 | 2 | 5226901-A | P06-2136 | TREAD COVER | 腳墊 |
| 21 | 3 | 5257201-A | P06-2203 | RUBBER FOOT PAD | 橡膠墊 |
| 22 | 1 | 5271701-A | P06-2204 | FOOT PAD | 腳墊 |
| 23 | 1 | 5338401 | P06-2376 | SPACER | 塑膠管 |
| 24 | 2 | | P08-0037 | BUSHING | 含油軸承 |
| 25 | 4 | | | RIVET | 拉釘 |
| 26 | 1 | | | WASHER, FLAT 1 1/4" x 3/8 SAE ST ZN | 平面華司 30X10.5X2.5T |
| 27 | 12 | 2004802 | | SCREW, 10-32 X 1/2" (12MM) PAN HEAD W/NP | 大扁頭十字螺絲#10-32x1/2"L 點耐落 |
| 28 | 1 | 5436601 | P04-3047 | LEVER ARM WELDMENT | 活動管組 |
| 29 | 2 | | P05-0204 | FLANGE BEARING | 法蘭培林 |
| 30 | 1 | 5234301-B | P06-2131 | SLEEVE | 中管塞 |

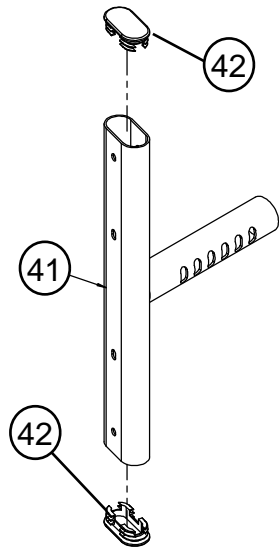
| | | | | | |
|----|---|-----------|----------|-----------------------------------|-------------------------|
| 31 | 2 | 5278401-A | P06-2206 | WEIGHT PLATE CUSHION | 緩衝墊 |
| 32 | 2 | 5278501-B | P06-2207 | WEIGHT PLATE PLASTIC HOLDER | 塑膠管 |
| 33 | 1 | 5436701 | P11-0231 | ADJUSTMENT PIN | 彈簧插銷組 |
| 34 | 1 | 20059-A | P05-0988 | COTTER PIN | 開口銷 |
| 35 | 1 | | | SCREW, 10-32 X 5MM) PAN HEAD W/NP | 大扁頭十字螺絲#10-32x 5MML 點耐落 |
| 36 | 1 | 5338201 | P04-3049 | ROTARY STOP WELDMENT | 把手管組 |
| 37 | 1 | 5095701-B | P05-1001 | ALUMINUM CAP | 鋁蓋 |
| 38 | 1 | 5095601-B | P05-1002 | COLLAR | 固定軸套 |
| 39 | 1 | 5234701-A | P06-2217 | HAND GRIP | 把手套 |
| 40 | 4 | | | SET SCREW M4x3mmL | 止付螺絲 |
| 41 | 1 | 5436901 | P04-2048 | KNEE PAD ADJUST WELDMENT | 內調整管組 |
| 42 | 2 | | A06-0529 | FLAT OVAL END CAP | 橢圓管塞 |



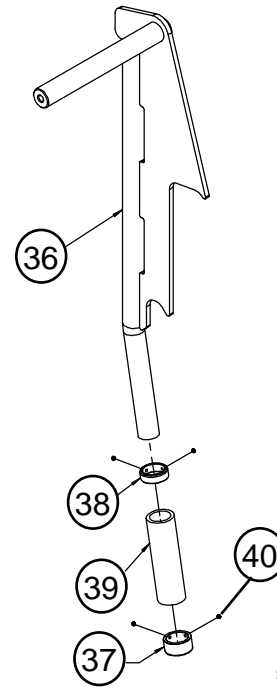
#12 P/N 53366PA PTD ASSY, PLCR FRAME



#16 P/N 54369PA PTD ASSY, KNEE PAD ADJUST



#14 P/N 53382PA PTD ASSY, ROTARY STOP



#15 P/N 54366PA PTD ASSY, LEVER ARM

