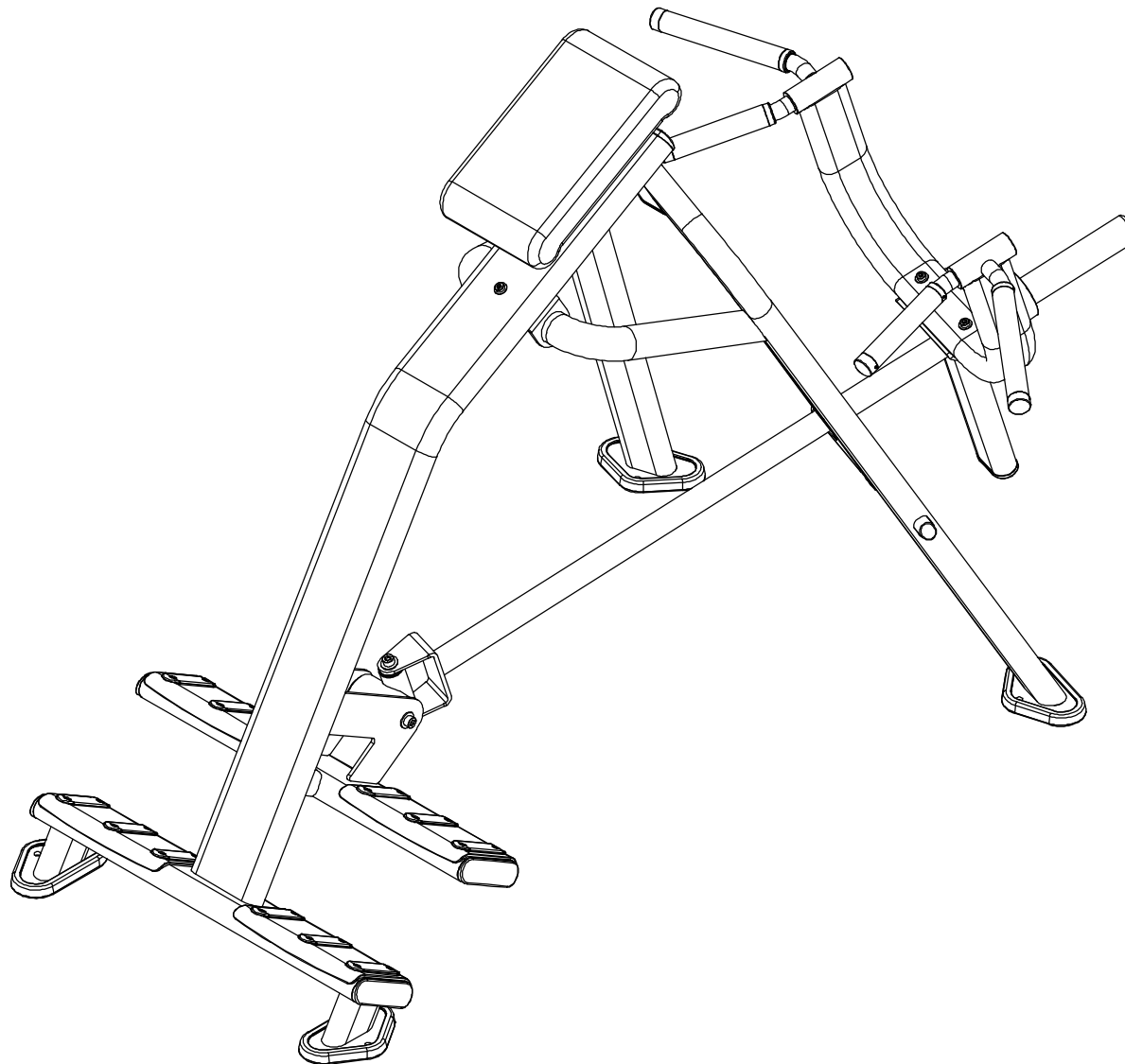


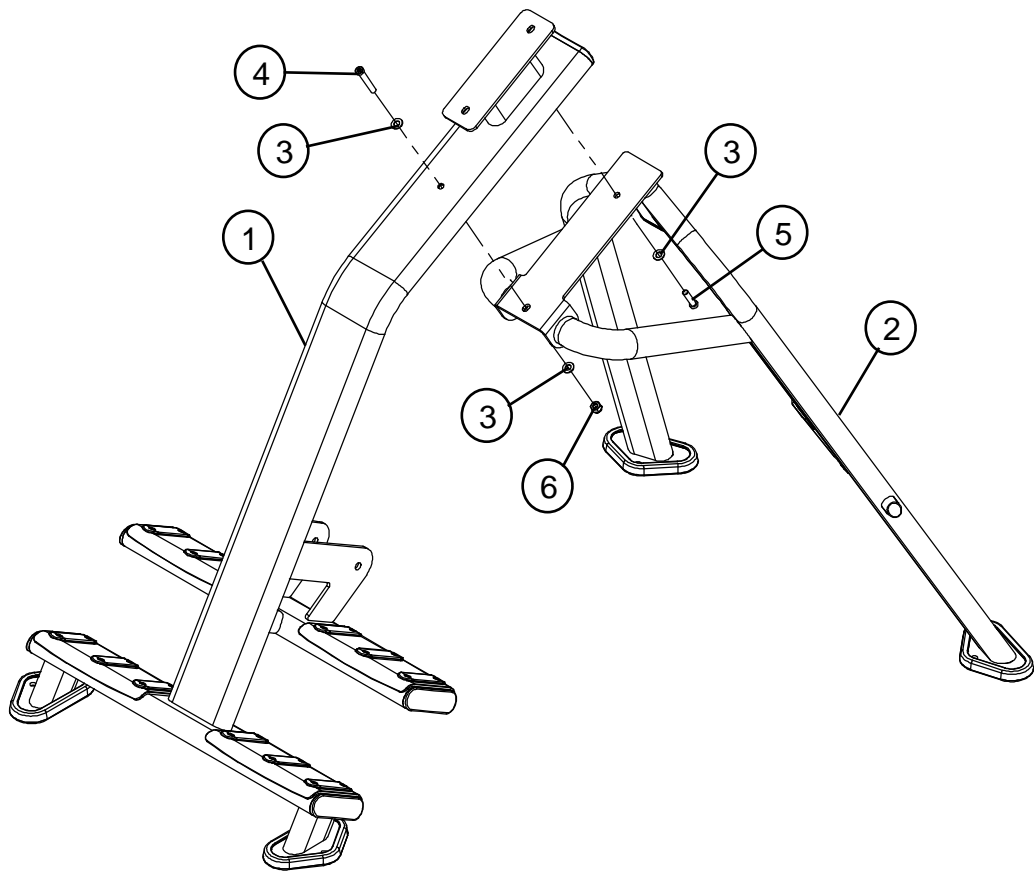
PLATE LOADED T-BAR ROW



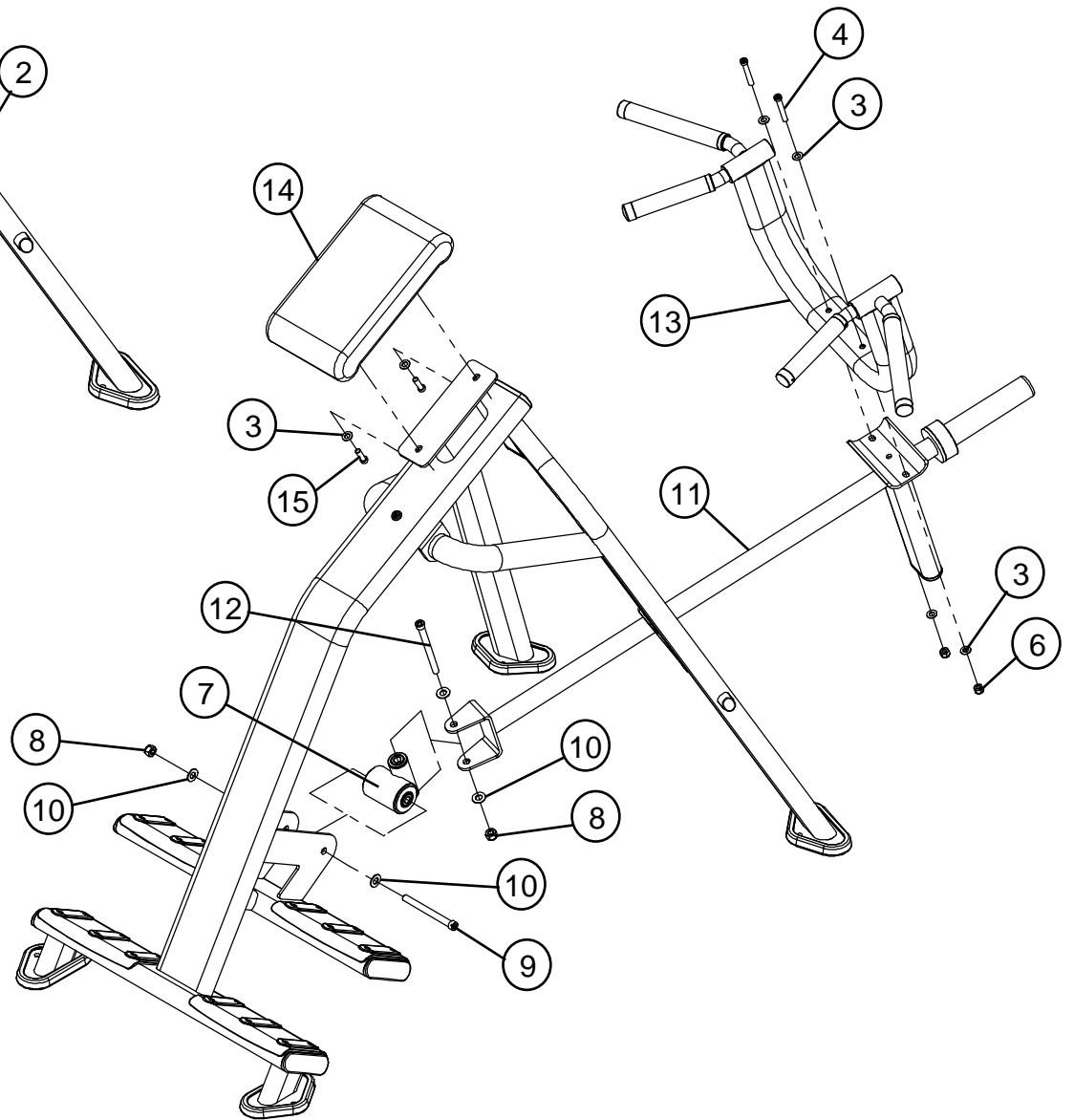
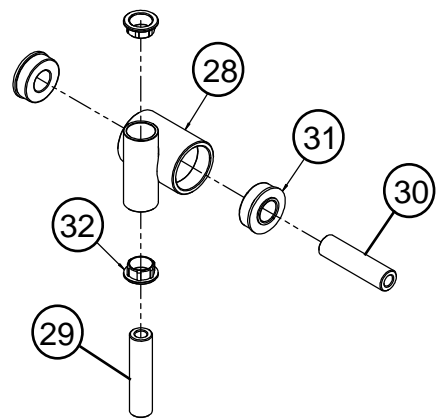
PARTS LIST

ITEM	QTY.	PART NO.	Paragon P/N	DESCRIPTION	CHINESE DESCRIPTION
1	1	54460PA	P20-3969	PTD ASSY, PLTBR MAIN FRAME	固定管組
2	1	53400PA	P20-3970	PTD ASSY, PLTBR FRONT LEG	支撐管組
3	9	2001101		WASHER, FLAT 3/8 SAE ST ZN	平面華司 20X10.5X1.0T
4	3	2005409		BOLT, 3/8-16 X 2-1/2" (64mm) SOCKET HEAD	六角承窩螺絲 3/8"x 2 1/2"L
5	1	2006405		BOLT, 3/8-16 X 1-1/2" (38mm) SOCKET HEAD W/NP	六角承窩螺絲 3/8"x 1 1/2"L 點耐落
6	3	2001201		NUT, 3/8-16 LK ST ZN	尼龍螺帽3/8"-16x11T
7	1	54462PA	P20-3973	PTD ASSY, PLTBR DUAL PIVOT	套管組
8	2	2001401		NUT, 1/2-13 LK ST ZN	尼龍螺帽 1/2"-13x12T
9	1	2005819		BOLT, 1/2-13 X 5" (127mm) SOCKET HEAD	六角承窩螺絲 1/2"x 5"L
10	4	2001301		WASHER, FLAT 1/2 SAE ST ZN	平面華司 26X13X2.0T
11	1	54465PA	P20-3971	PTD ASSY, PLTBR PIVOT ARM	擺臂管組
12	1	2005820		BOLT, 1/2-13 X 5-1/4" (133mm) SOCKET HEAD	六角承窩螺絲 1/2"x 5 1/4"L
13	1	53798PA	P20-3972	PTD ASSY, PLTBR HANDLE	擺臂管組
14	1	5316001	P07-0452	PAD, 8 X 14 WRAPPED	肘墊
15	2	2006404		BOLT, 3/8-16 X 1-1/4" (32mm) SOCKET HEAD W/NP	六角承窩螺絲 3/8"x 1 1/4"L 點耐落
16	1	5446001	P04-3590	PLTBR MAIN FRAME WELDMENT	固定管組
17	5	5205401-A	P06-2129	END CAP, FLATOVAL	橢圓管塞
18	4	5226901-A	P06-2136	TREAD COVER	腳墊
19	2	5257201-A	P06-2203	RUBBER FOOT PAD	橡膠墊
20	24	2004802		SCREW, 10-32 X 1/2" (12MM) PAN HEAD W/NP	大扁頭十字螺絲#10-32x1/2"L 點耐落
21	1	5340001	P04-3591	PLTBR FRONT LEG WELDMENT	支撐管組
22	1	5205201-A	P06-2188	CUSHION	緩衝墊
23	1	5289301-E	P06-2241	UPPER UPRIGHT COVER	塑膠護蓋
24	1	5289201-E	P06-2242	PLASTIC RACK	塑膠護蓋
25	3	2006401		BOLT, 3/8-16 X 3/4" (19mm) SOCKET HEAD W/NP	六角承窩螺絲 3/8"x 3/4"L 點耐落
26	1			WASHER, FLAT 16 X 6.5 X 1.0T	平面華司16X6.5X1.0T
27	1	2006503		BOLT, 1/4-20 X 3/4" (19mm) SOCKET HEAD W/NP	六角承窩螺絲 1/4"x 3/4"L 點耐落
28	1	5446201	P04-3594	PLTBR DUAL PIVOT WELDMENT	套管組

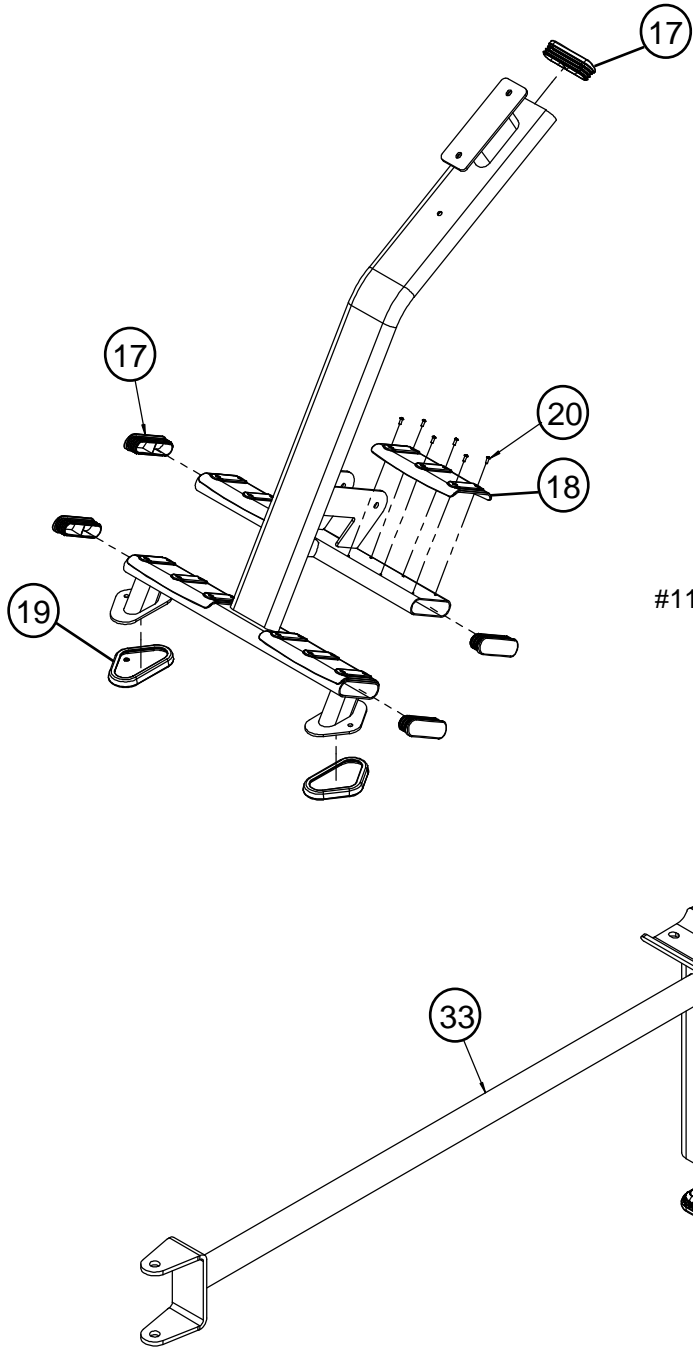
29	1	5446401	P03-2760	SHAFT	套管
30	1	5446301	P03-2759	SHAFT	套管
31	2		P05-0204	FLANGE BEARING	法蘭培林
32	2		P08-0037	BUSHING	含油軸承
33	1	5446501	P04-3592	PLTBR PIVOT ARM WELDMENT	擺臂管組
34	1	5278501-B	P06-2207	WEIGHT HOLDER COVER	塑膠管
35	1	5292901-A	P06-2265	WEIGHT PLATE CUSHION	橡膠墊
36	1	2006403		BOLT, 3/8-16 X 1" (25mm) SOCKET HEAD W/NP	六角承窩螺絲 3/8"x 1"L 點耐落
37	1	5379801	P04-3593	PLTBR HANDLE WELDMENT	把手管組
38	4	5095701-B	P05-1001	ALUMINUM CAP	鋁蓋
39	4	5095601-B	P05-1002	COLLAR	固定軸套
40	2	5221301-A	P06-2209	HAND GRIP	把手套
41	2	5351401	P06-2789	HAND GRIP	把手套
42	4			SET SCREW M4x3mmL	止付螺絲



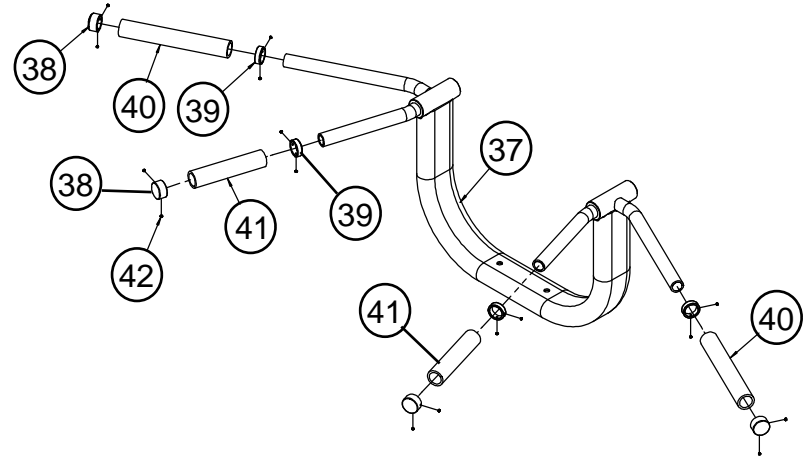
#7 P/N 54462PA PTD ASSY, PLTBR DUAL PIVOT



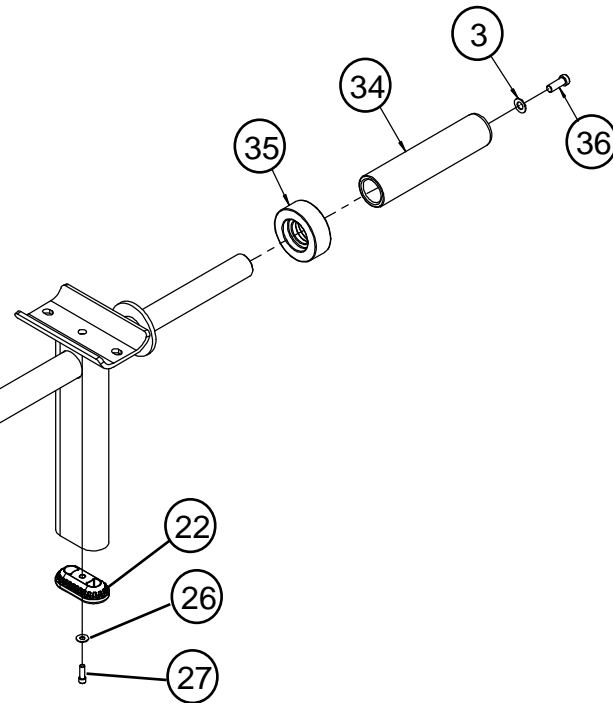
#1 P/N 54460PA PTD ASSY, PLTBR MAIN FRAME



#13 P/N 53798PA PTD ASSY, PLTBR HANDLE



#11 P/N 54465PA PTD ASSY, PLTBR PIVOT ARM



#2 P/N 53400PA PTD ASSY, PLTBR FRONT LEG

