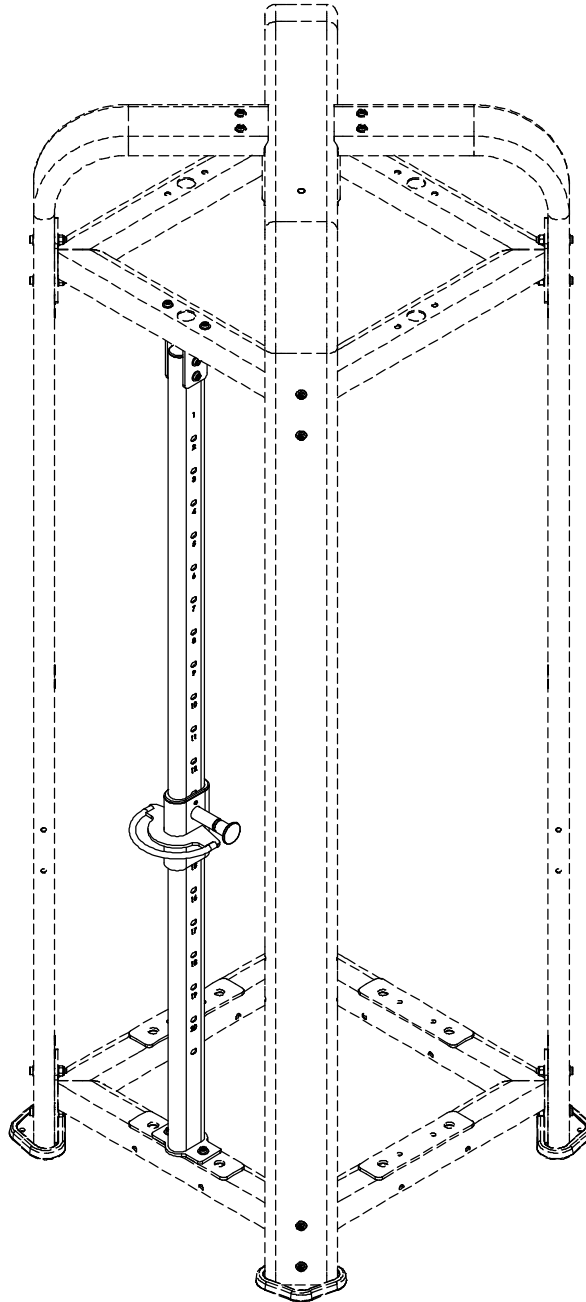


# *MJ-FT MJ4 Functional Training*



PARTS LIST			
ITEM	Qty	PART NO	Description
7	4	DC120010510U	3/8" Flat Washer
8	2	DB2E03811000U	Lock Nut 3/8" x 11t
54	2	DABE03823416ANU	Cap Head Screw 3/8" x 2 3/4"L
94	2	DABE03830016ANU	Cap Head Screw 3/8" x 3"L
96	2	DABE03810016AYU	Cap Head Screw 3/8" x 1"L with blue patch
111	1	P11-0189	Adjustment Pin
113	2	P03-2019	Barrel Spacer
151	1	P20-4489	FT Adjustable Upright
152	1	P04-3906	FT Upper Bracket
153	1	P20-4488	FT Adjuster
154	1	A06-0529	End Cap
155	1	P06-2386	Adjuster Sleeve
193	1	P04-3905	FT Adjuster Weldment
194	1	P04-3904	FT Adjustable Upright Weldment

