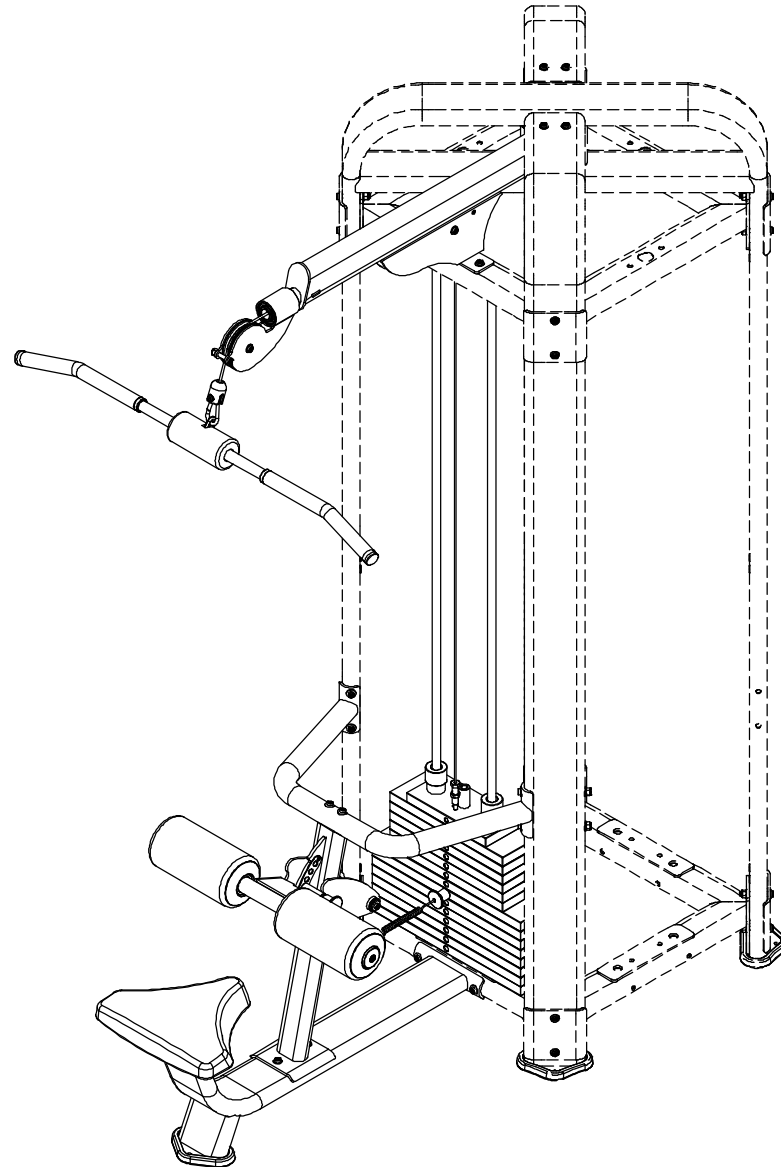
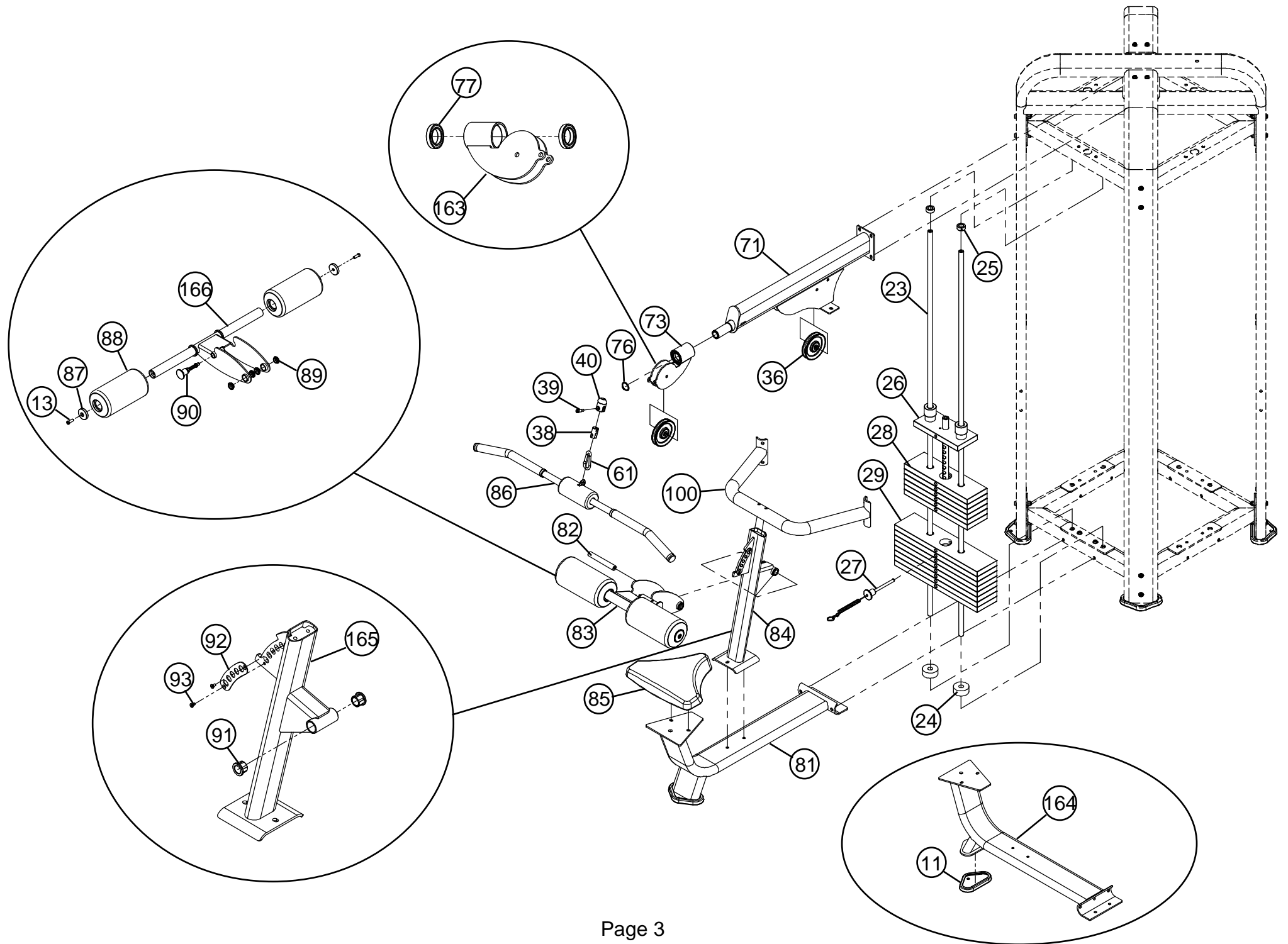


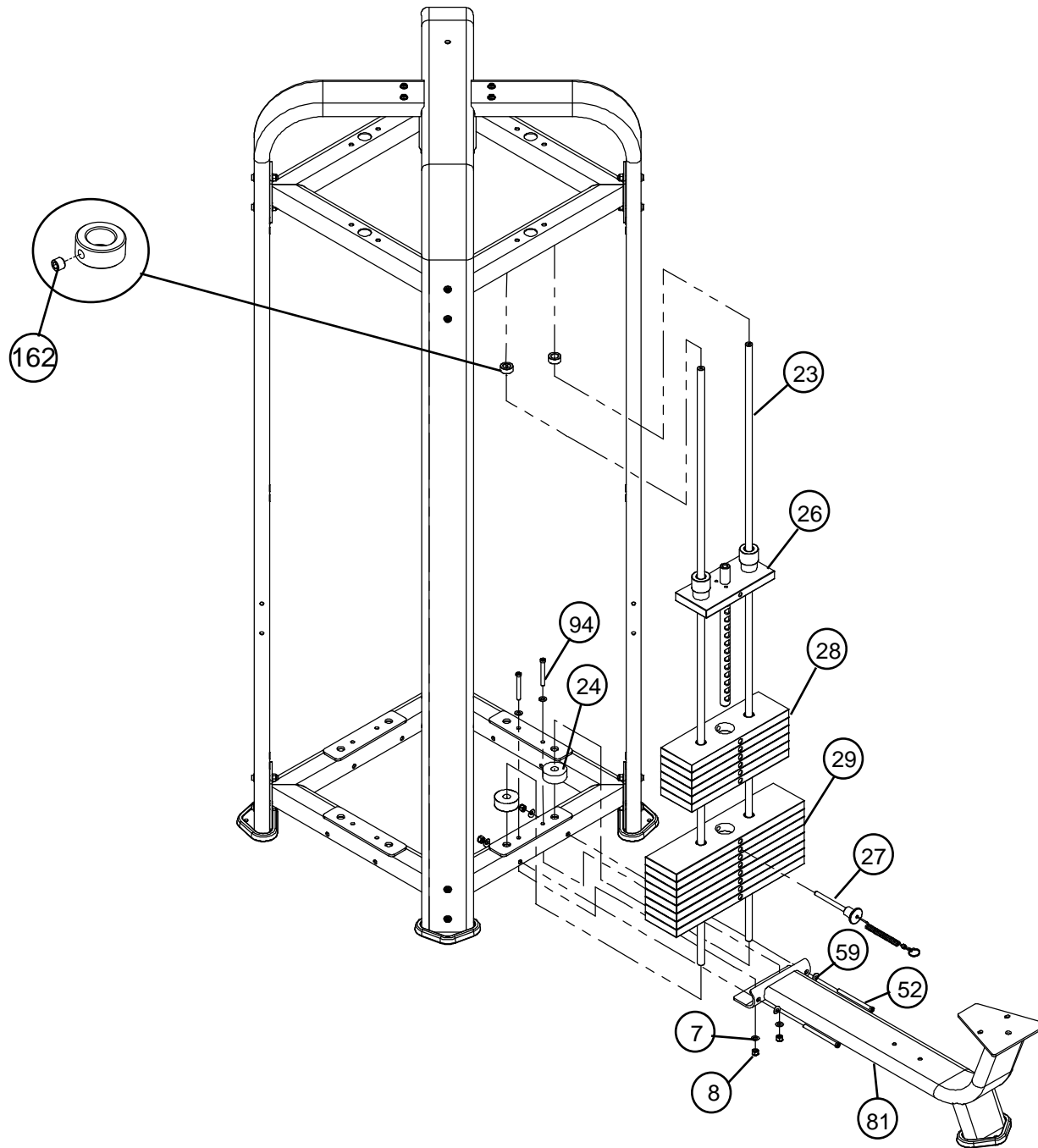
MJ-LP MJ4 Lat Pull Down

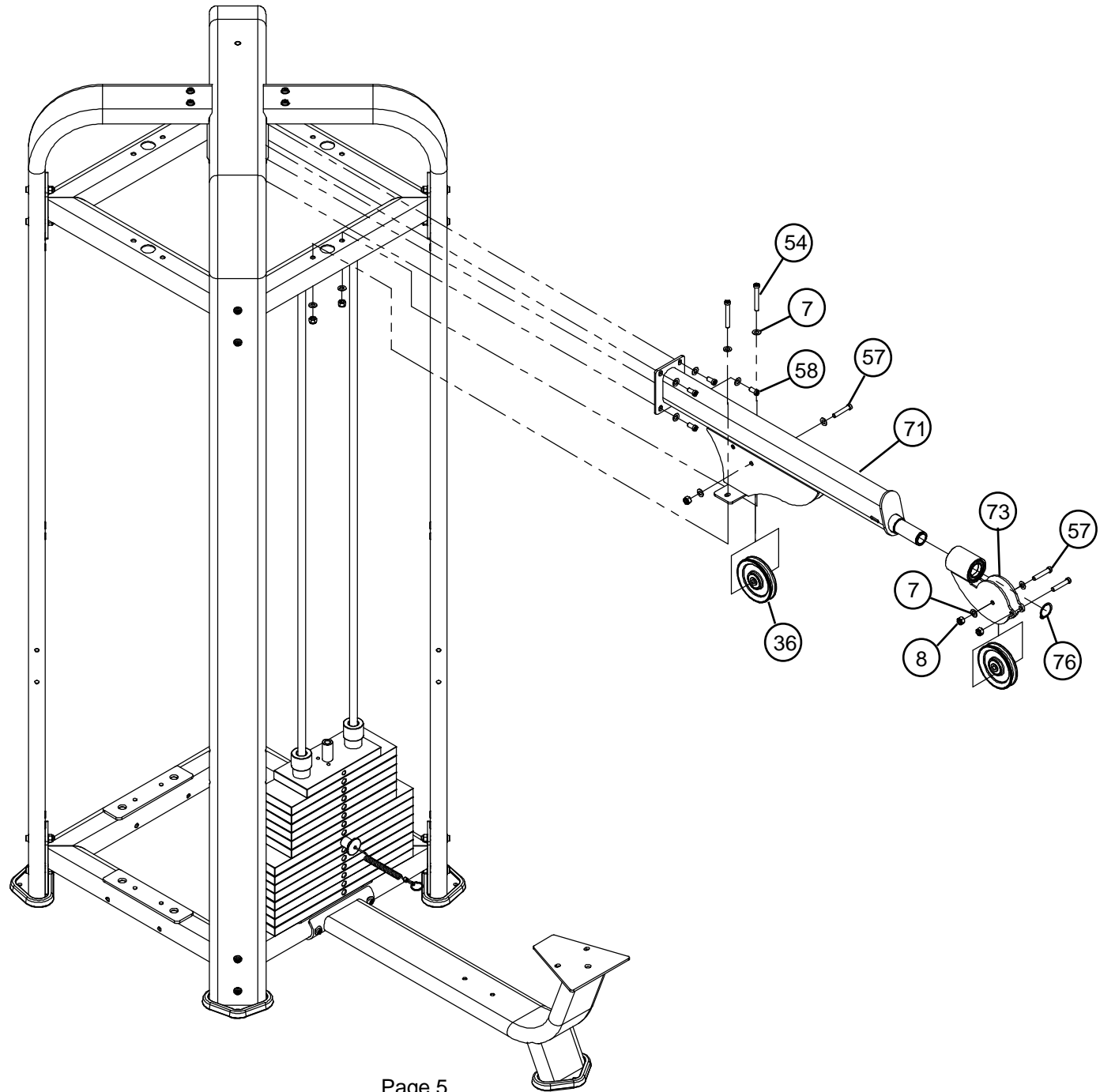


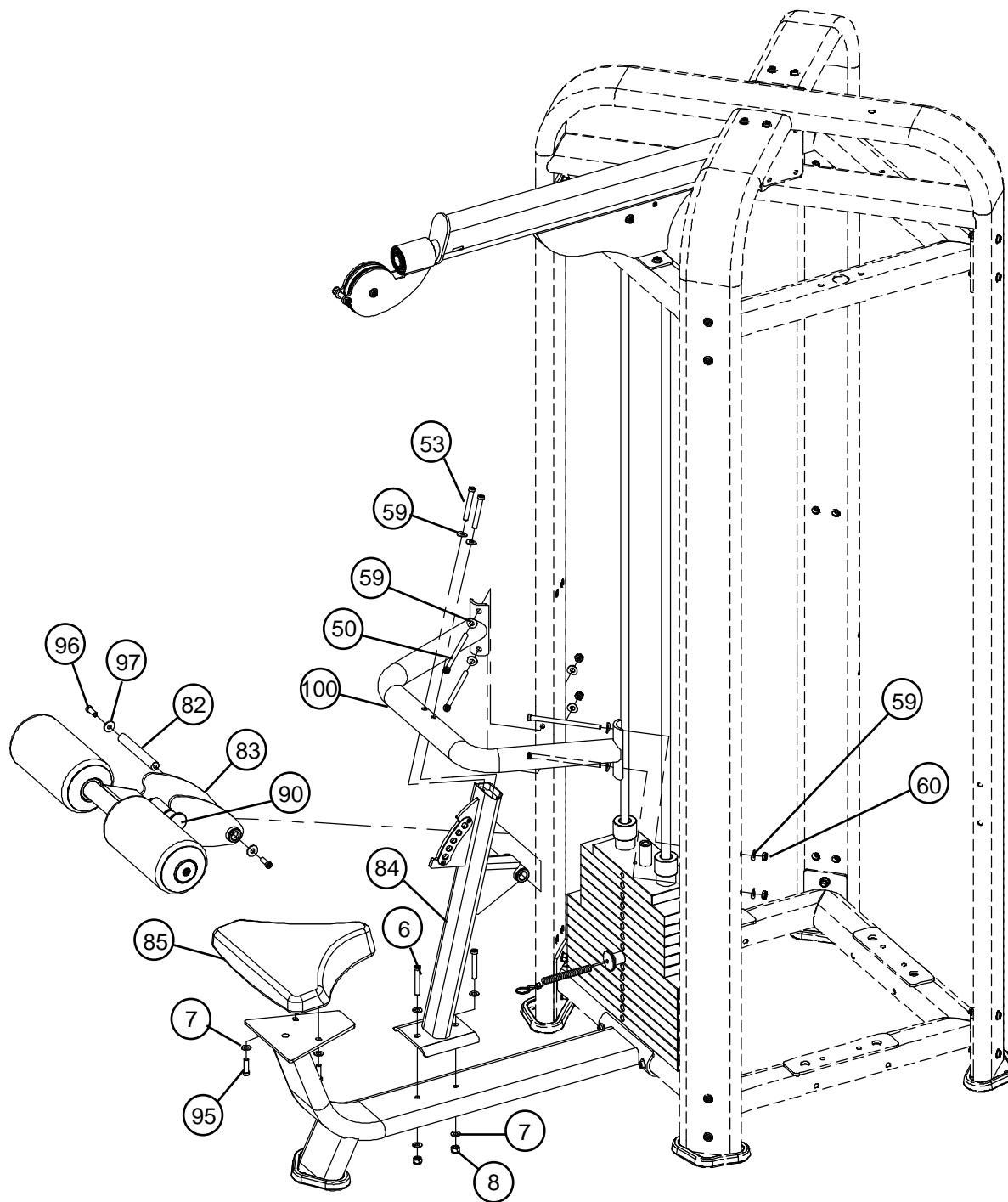
PARTS LIST

ITEM	Qty	Part No.	Description
81	1	P20-4269	LP Seat Frame
82	1	P03-2729	Shaft
83	1	P20-4268	Leg Hold Down Assembly
84	1	P20-4270	LP Upright
85	1	P07-0434	LP Seat Pad
86	1	P20-4267	Lat Bar
87	2	P05-0978	Aluminum Washer
88	2	P06-2169	Roller Pads
89	4	P08-0118	Step Spacer
90	1	P11-0230	Adjustment Pin
91	2	P08-0048	Step Spacer
92	1	P02-6051	Adjustment Plate
93	2	DACM100032010YU	Flat Head Screw #10 x 10mmL
94	2	DABE03830016NAU	Cap Head Screw 3/8" x 3"mmL
95	2	DABE03811416YU	Cap Head Screw 3/8" x 1 1/4"mmL with blue patch
96	2	DABE03810016YU	Cap Head Screw 3/8" x 1"mmL with blue patch
97	2	DC125010030AU	1" x 3/8" Flat Washer
98	2	P05-1001	Aluminum End Cap
99	2	P05-1002	Collar
100	1	P04-3845	Connecting Tube
164	1	P04-3843	LP SEAT FRAME WELDMENT
165	1	P04-3844	LP UPRIGHT WELDMENT
166	1	P04-3846	Leg Hold Down Weldment
167	1	P04-3879	Lat Bar Weldment
168	1	P06-2406	Lat Bar Roller
169	8	DACM04000307YU	Set Screw M4 x 3L
170	2	P06-2305	Hand Grip









#74 TP / LP Cable P13-0463

