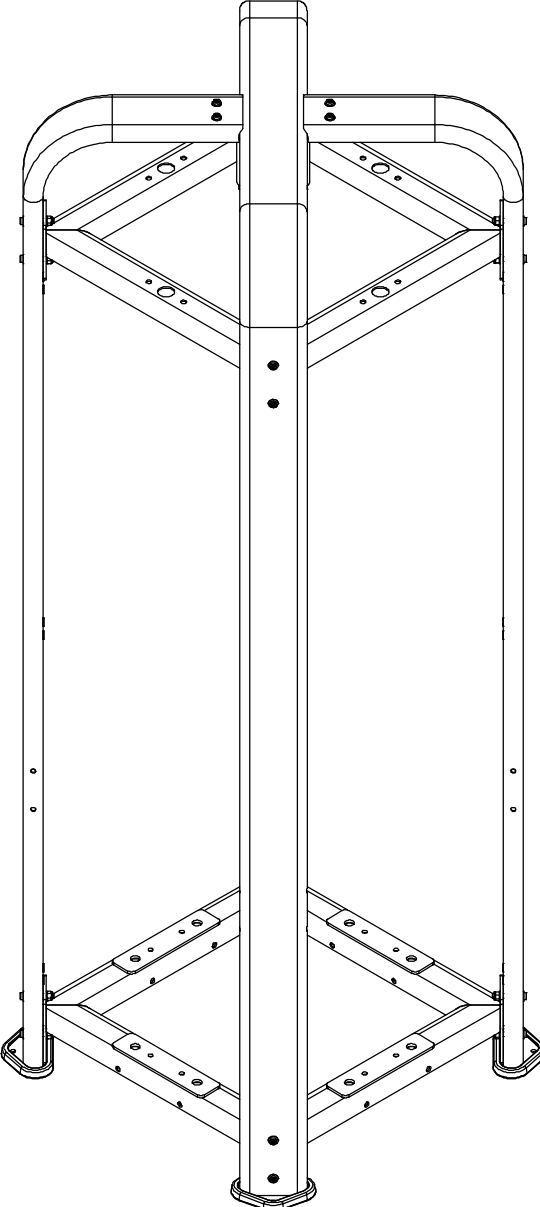
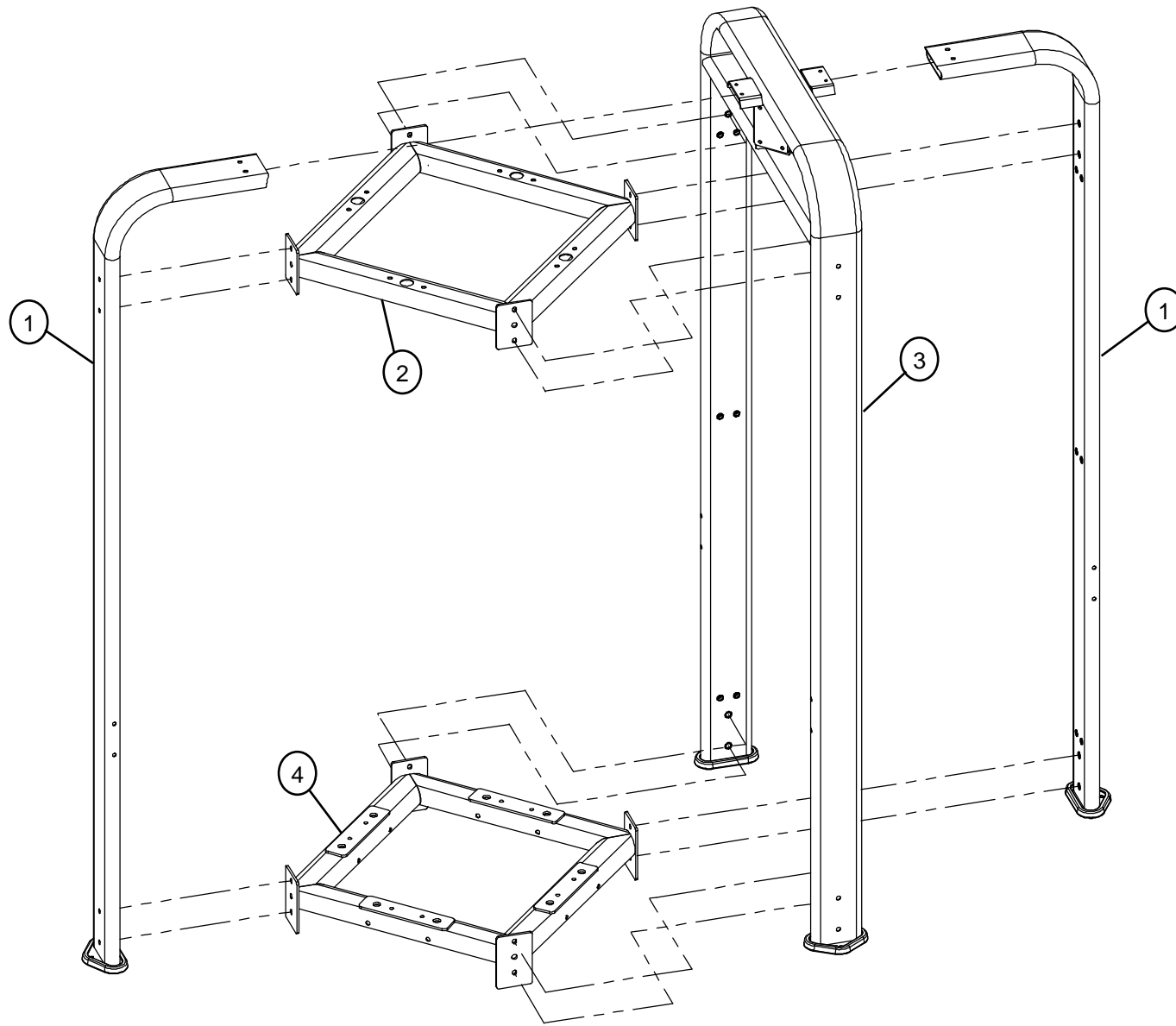


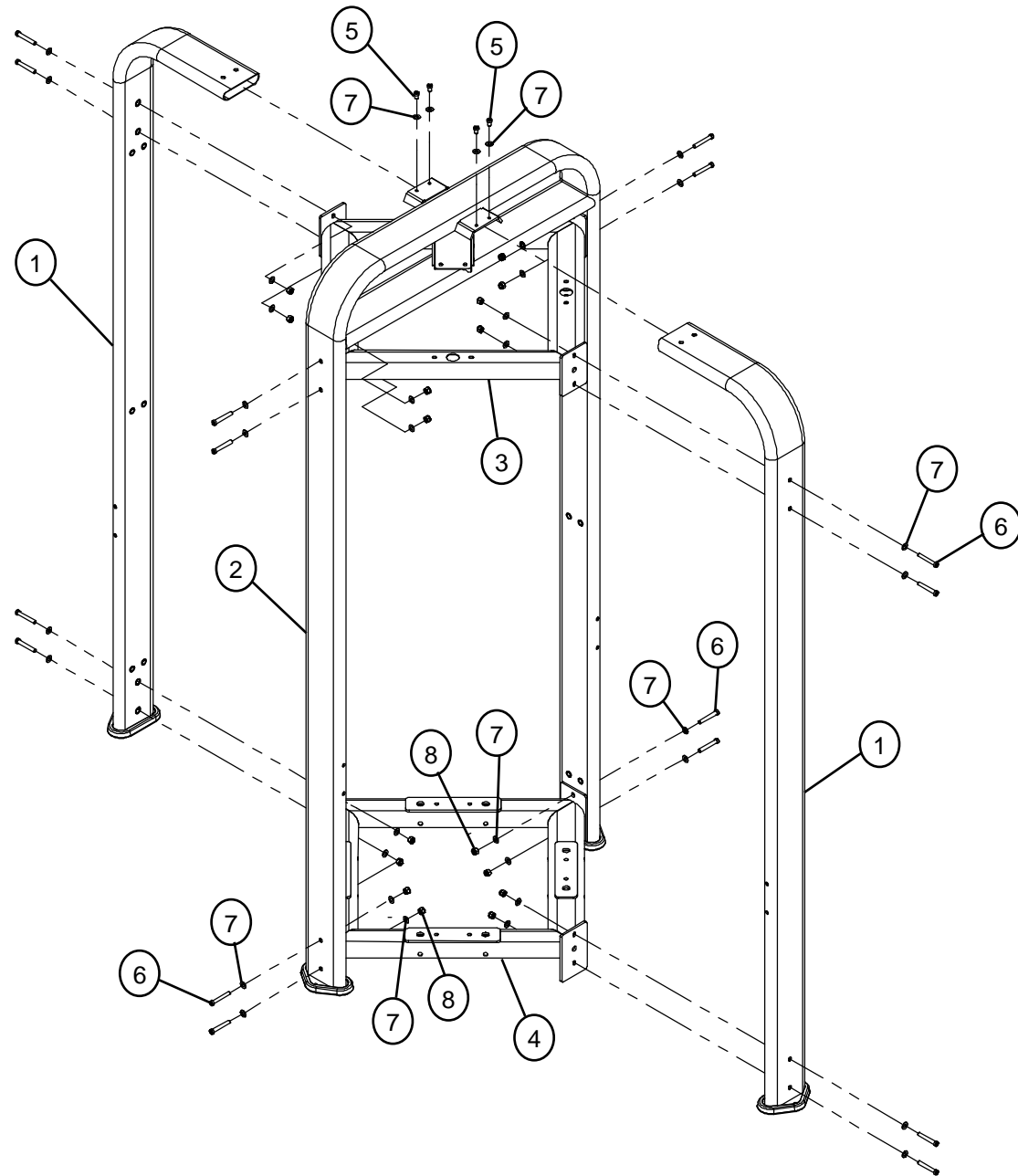
MJ-T MJ4 Multi Jungle Tower



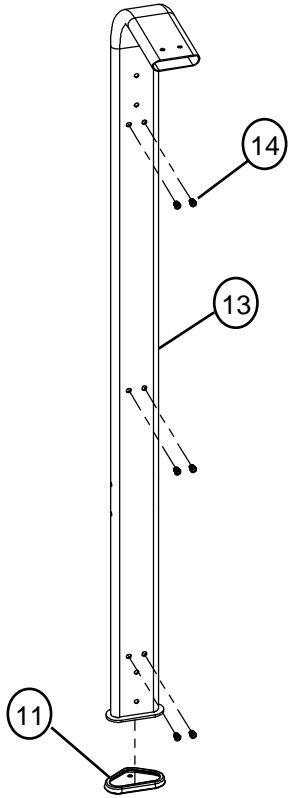
PARTS LIST

ITEM	Qty	Part No.	Description
1	2	P20-4272	Main Upright Assembly
2	1	P20-4273	Main Frame Assembly
3	1	P20-4312	Upper Frame Assembly
4	1	P04-3833	Lower Frame
5	4	DABE03801216YU	Cap Head Screw 3/8" x 1/2"L with Blue Patch
6	16	DABE03821216NAU	Cap Head Screw 3/8" x 2 1/2"L
7	36	DC120010510U	Flat Washer 3/8" x 1t
8	16	DB2E03811000U	Lock Nut 3/8" x 11t
9	1	P06-2270	Plastic Plug
11	2	P06-2203	Rubber Foot Pad
12	8	P06-0589	Guide Rod Plastic Collar
13	2	P04-3834	Main Upright Weldment
14	18	DB4E03800016F	AVK Insert 3/8"-16
15	1	P04-3835	Main Frame Weldment
16	1	P04-3836	Upper Frame Weldment

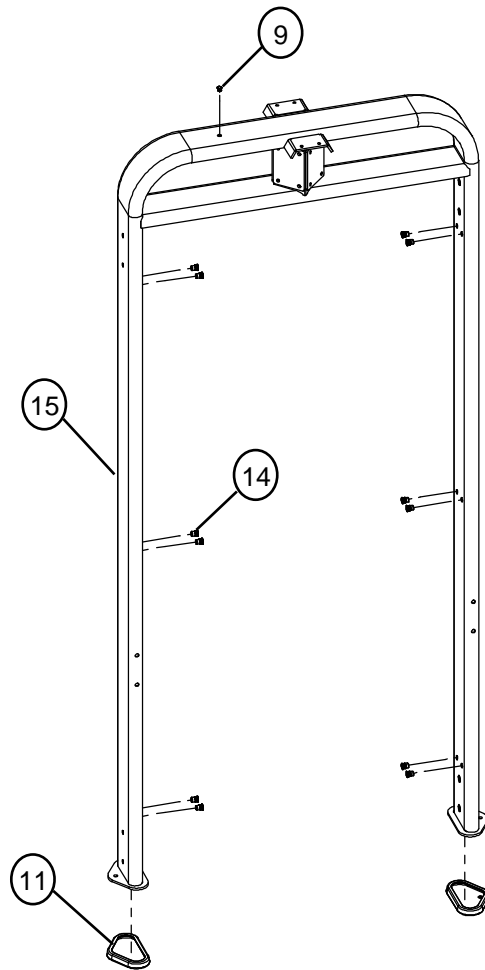




#1 P/N P20-4272 Main Upright



#2 P/N P20-4273 Main Frame



#3 P/N P20-4312 Upper Frame

